

XTC-114D 1:1 Redundant HPA Controller



- **Compatible with all Xicom Amplifiers**
- **Separate Amplifier Status for each HPA**
- **Two Line Front Panel Displays**
- **Front Panel Waveguide Switching**
- **Compact 1 Rack Unit Size**
- **Remotely Controllable Via Serial Interface**

The XTC-114D 1:1 Redundant Controller is designed to allow the redundant operation of Xicom Technology's amplifiers. By providing a single interface point, users can communicate with both amplifiers by connecting a single RS-232 or RS-422/485 serial connection or an Ethernet Connection to the controller rear panel. The front panel status and control functionality is available through the serial connection.

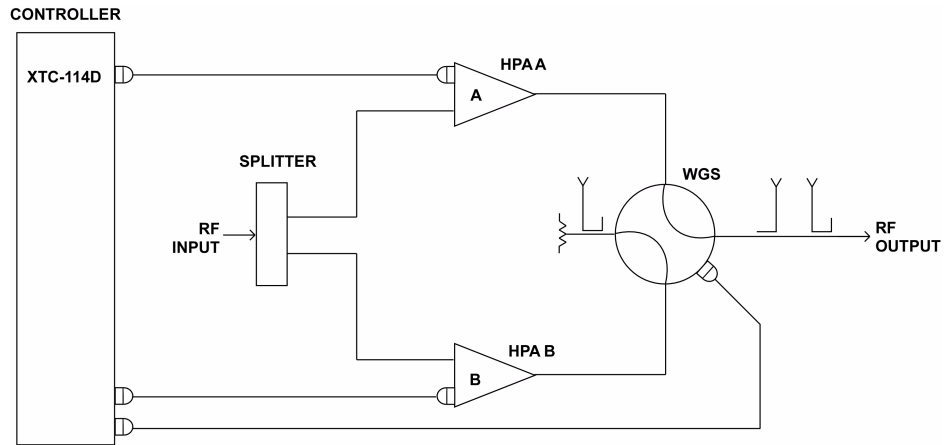
The XTC-114D is compact and requires only 1 rack unit (1.75 inches) of a standard 19 inch rack. The two line front panel displays show the status of each amplifier, including TWT temperature, Helix Voltage, and Helix Current. If the forward power option is purchased with the TWTA, Power Out can also be viewed on the front panel display.

MONITOR AND CONTROL FUNCTIONS

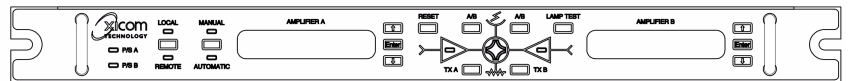
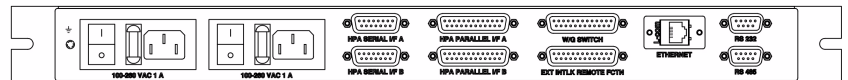
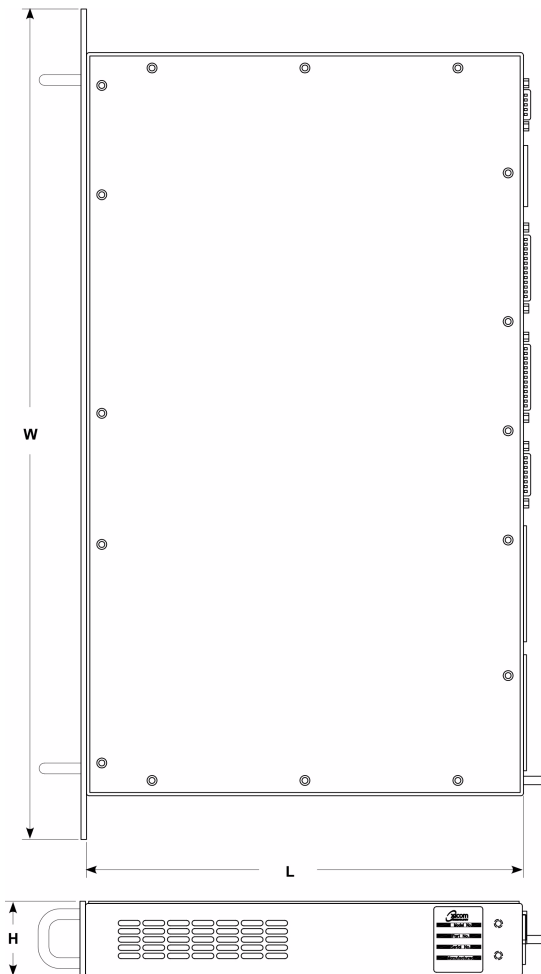
TYPE		FUNCTION			
CONTROLS		Local/Remote	High Voltage ON/OFF	Manual/Automatic	HPA Power ON/OFF
STATUS — 2-line Display		Not Detected	Helix Voltage	Helix Current	Faults:
		RF Power †	Reflected Power †	TWT Temperature	TWT Temperature
					High VSWR
					Helix Current
					Summary
					Helix Voltage
STATUS — LEDs		Local/Remote	Manual/Automatic	HPA Power ON/ OFF	High Voltage ON/OFF
		Standby			
COMPUTER	Hardware Interface	2 Serial Ports: RS-232 and RS-422/485			
		Ethernet Port			
SERIAL PORT	Xicom Command Set	ASCII Commands			

†Only available if options are purchased with amplifier.

BLOCK DIAGRAM



OUTLINE DIAGRAM



DIMENSIONS		
	INCHES	CENTIMETERS
W	19.00	48.26
L	10.00	25.40
H	1.75	4.45