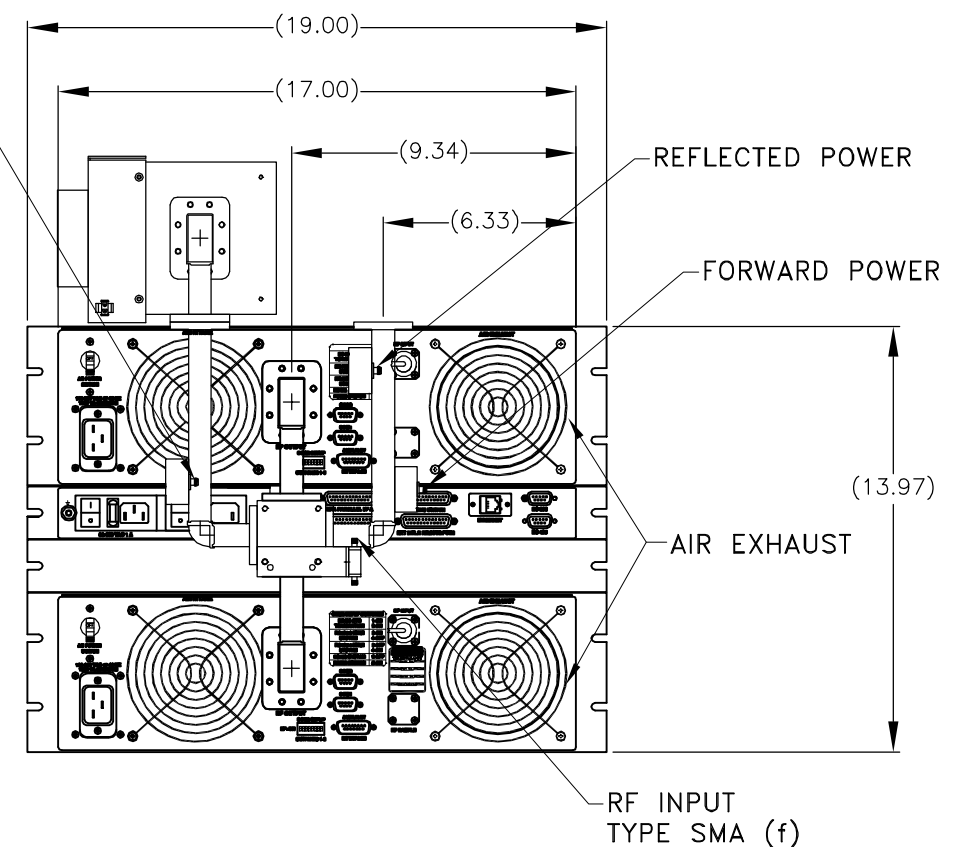
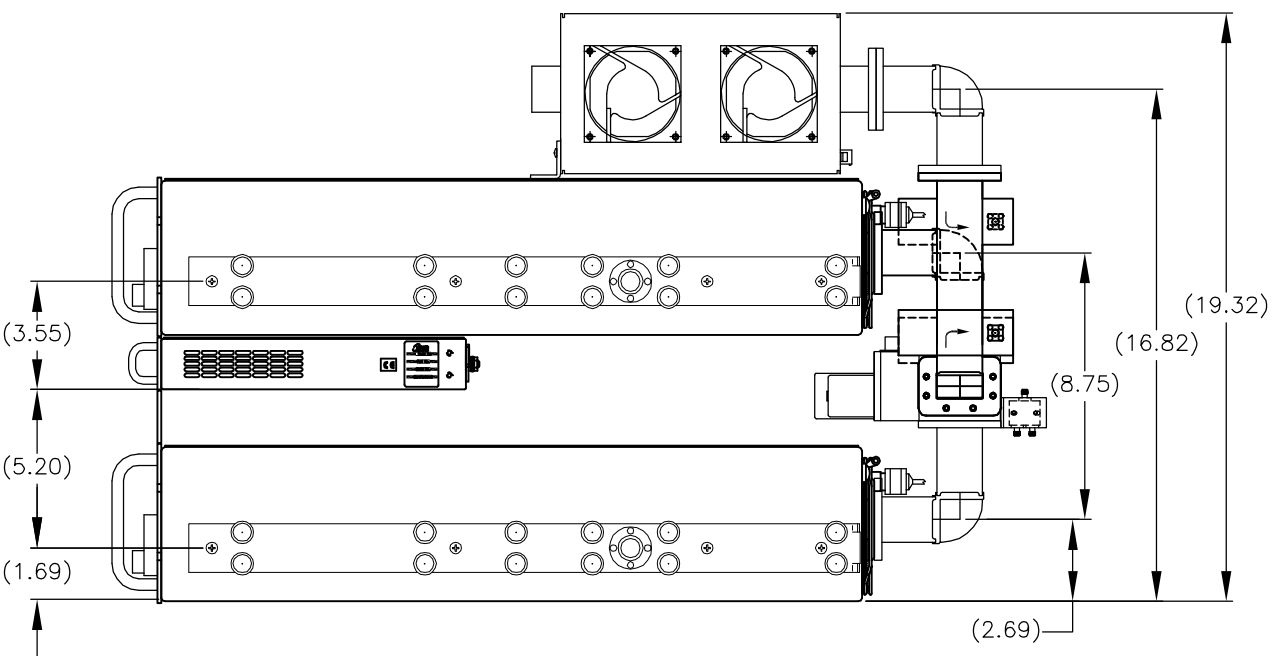
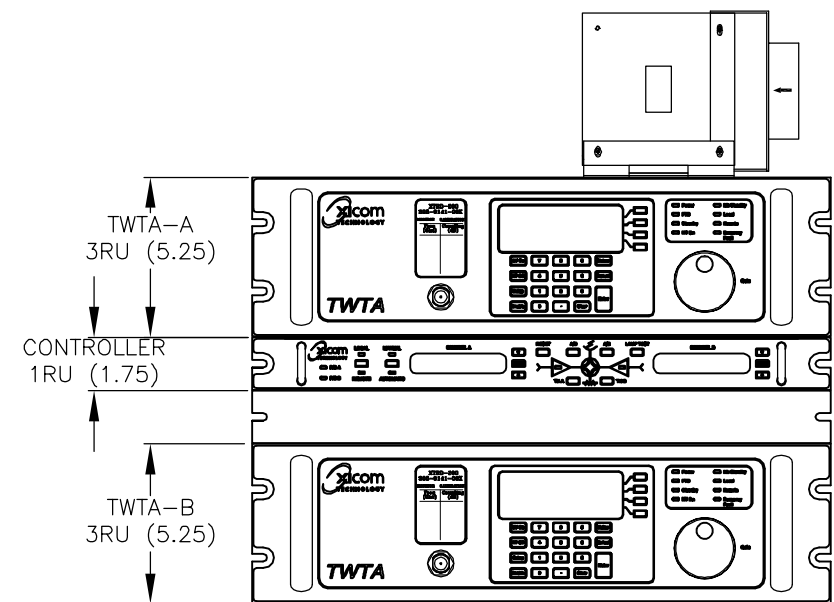
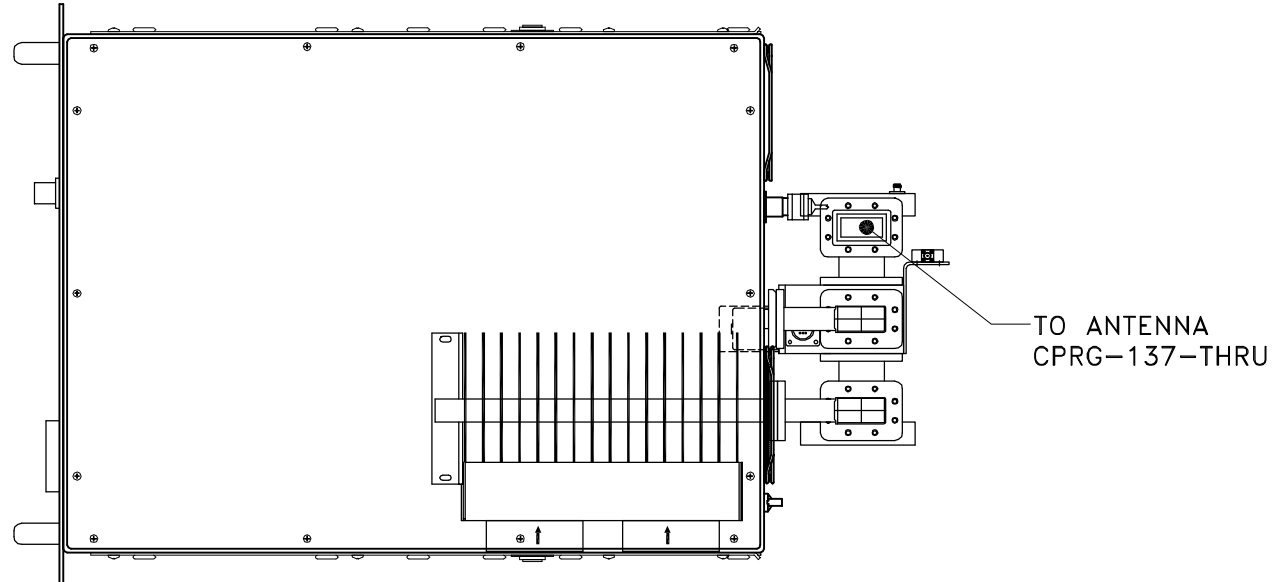
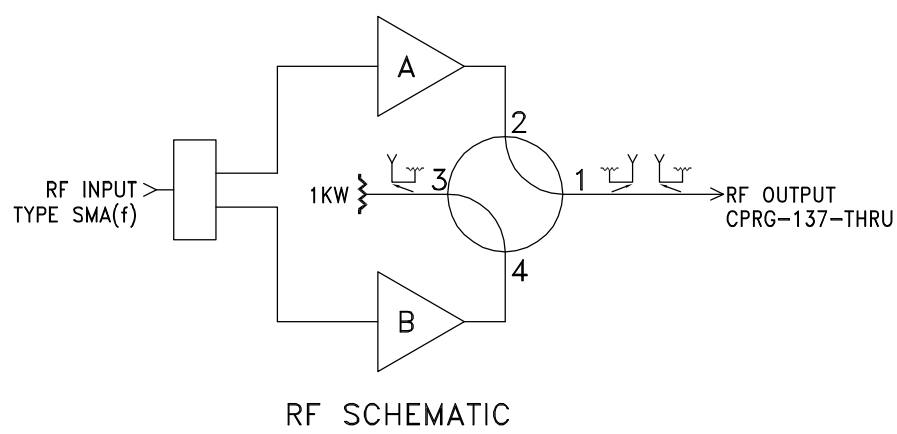


THE DATA CONTAINED HEREIN CONSTITUTES PROPRIETARY INFORMATION OF XICOM TECHNOLOGY AND SHALL NOT BE USED, DUPLICATED, OR DISCLOSED IN WHOLE OR IN PART, EXCEPT FOR RIGHTS EXPRESSLY GRANTED BY CONTRACT, WITHOUT THE PRIOR WRITTEN AUTHORIZATION OF XICOM TECHNOLOGY.

REVISIONS				
ECO	REV.	DESCRIPTION	DATE	APPROVED
N/A	1	INITIAL RELEASE	8/31/07	HL/MC



NOTE:  
1. RF CABLES ARE NOT SHOWN FOR CLARIFICATION.

ELECTRONIC APPROVAL SEE PLM (OMNIFY)

MATERIAL	N/A	UNLESS OTHERWISE SPECIFIED DIMENSIONS ARE IN INCHES TOLERANCES PER ANSI Y14.5M FRAC DECIMALS ANGLES SURF. ± .XX ±.03 ± .XXX ±.010	CONTRACT NO.		XICOM TECHNOLOGY
	FINISH		N/A	APPROVALS	
DO NOT SCALE DRAWING			DRAWN	HIEU LE	8/31/07
			CHECKED		
			ENGRG	MC	-
			MANFG		
			QA		
SIZE	CAGE CODE	DWG. NO.	REV.		
D		304-0009-012	1		
CAD SCALE 1/1			SHEET 1 OF 1		