

SPECIFICATIONS

FREQUENCY BAND : SEE BELOW

INSERTION LOSS: RX: 0.35 dB
TX: 0.35 dB

VSWR RX: 1.3:1 MAX
TX: 1.3:1 MAX

ISOLATION TX-RX: 70 dB
RX-TX: 35 dB
RX-RX: 35 dB
TX-TX: 35 dB

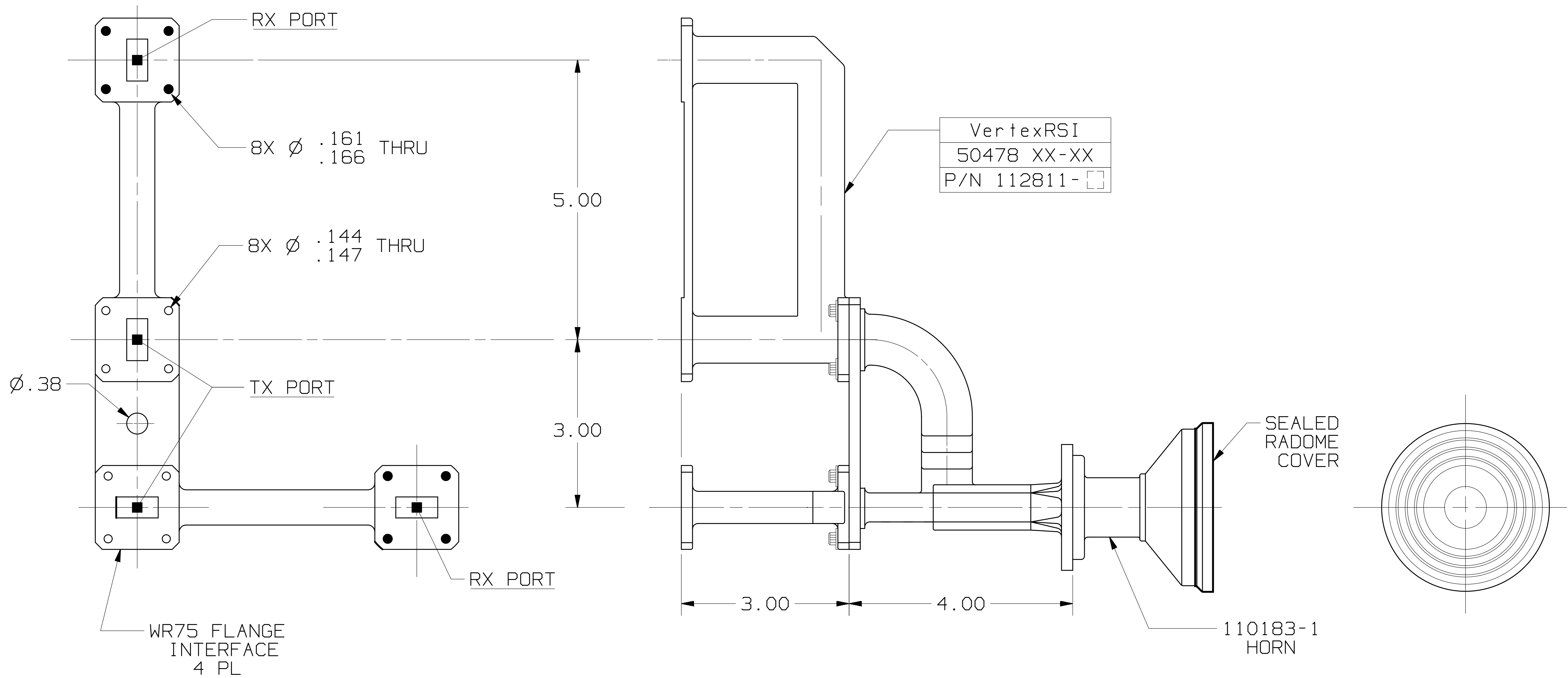
CROSSPOL : 35 dB MIN

PRESSURIZATION: SEALED TO 5.0 PSIG

FINISH
FLANGE FACES: CHEM FILMED PER MIL-C-5541C CLASS 1A.
EXTERIOR: WHITE PAINT, COLOR No.17875 PER FED-STD-595.

REVISIONS

REV	DESCRIPTION	DATE	APPROVED
-	INITIAL RELEASE	10-04-02	



CONFIGURATION	FREQUENCY BAND	
	RX (2 PORTS)	TX
-1	10.95-11.70 GHz	13.75-14.50 GHz
-2	11.45-12.20 GHz	
-3	12.00-12.50 GHz	
-4	12.20-12.75 GHz	

UNLESS OTHERWISE SPECIFIED	SIGNATURES	DATE
DIMENSIONS ARE IN INCHES	DRAWN: L. TOVALIN	10-04-02
TOLERANCES-	CHECKED:	10-04-02
SURFACE .XX ±.03	ENGRG:	
63 ✓ .XXX ±.003	ENGRG:	
ANGLES±	EXPORT CONTROL WARNING: Do not disclose this document or its contents to non-U.S. Citizens or transmit this document or its contents outside the U.S.A. without the written permission of General Dynamics and required U.S. Government approvals	
MATERIAL:		
APPLICATION:		

GENERAL DYNAMICS

C4 SYSTEMS

VertexRSI™ Torrance Facility
3111 Fujita St., Torrance, CA 90505, (310)539-6704

Ku-BAND 4-PORT FEED

SIZE	FSCM NO.	DRAWING NO.	REV
C	50478	112811	-
SCALE: 7:10		SHEET 1 of 1	