

SPECIFICATIONS

FREQUENCY BAND RX: 10.70 - 12.75 GHz
 TX: 13.75 - 14.50 GHz

INSERTION LOSS RX: 0.50 dB
 TX: 0.35 dB

VSWR RX: 1.25:1 MAX
 TX: 1.25:1 MAX

ISOLATION TX/RX: 85 dB MIN.
 RX/TX: 70 dB MIN.
 RX/RX: 35 dB MIN.
 TX/TX: 35 dB MIN.

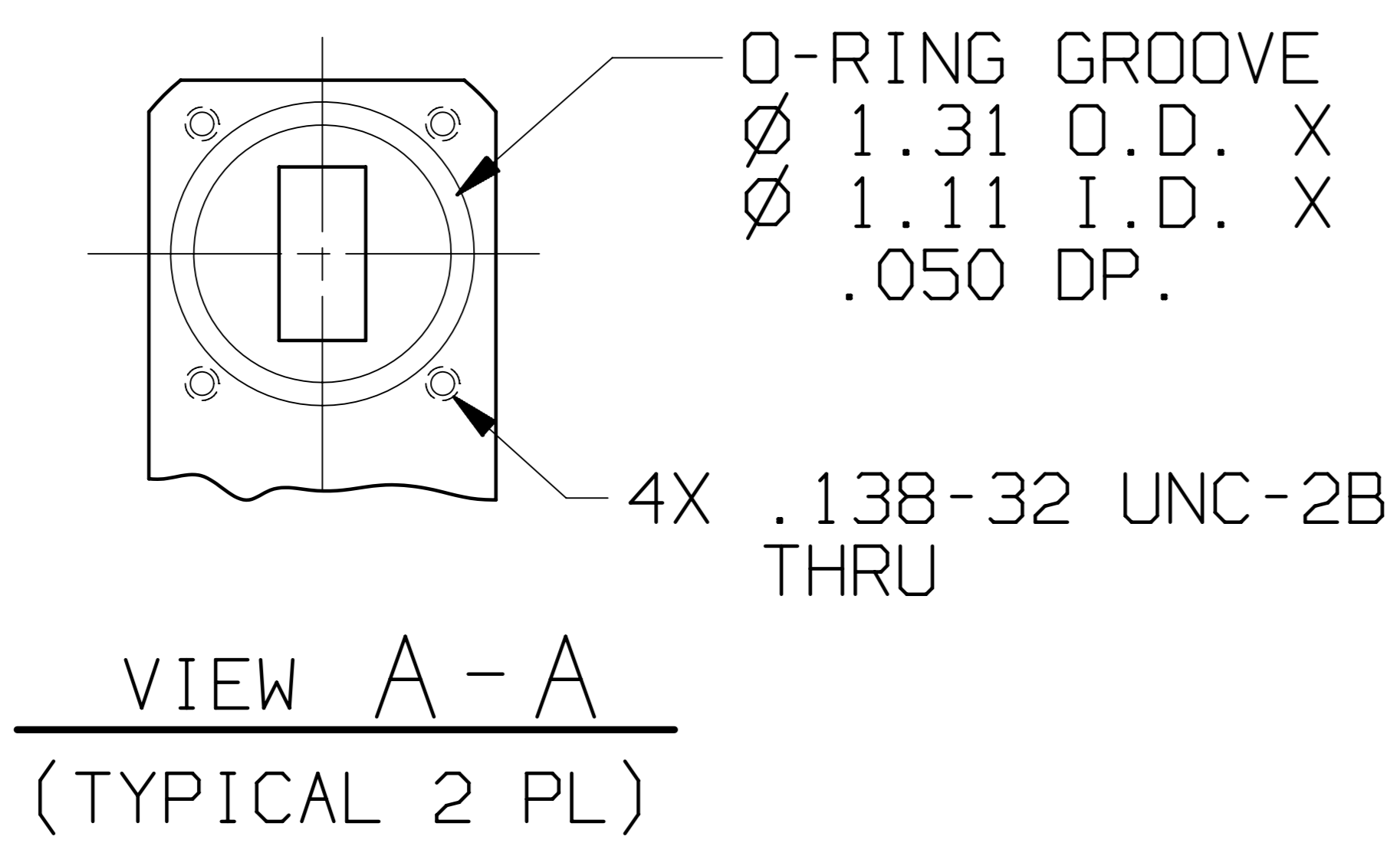
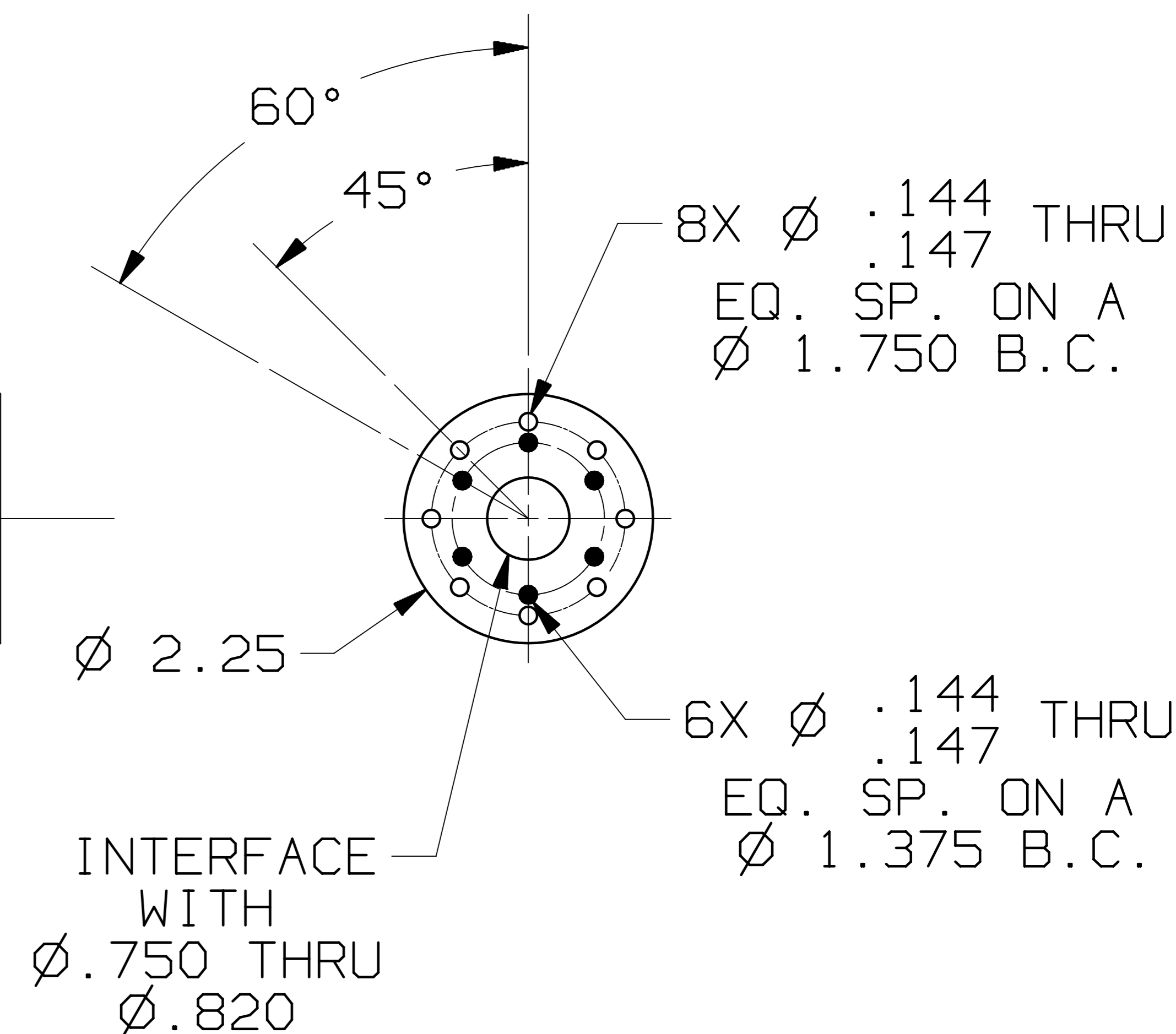
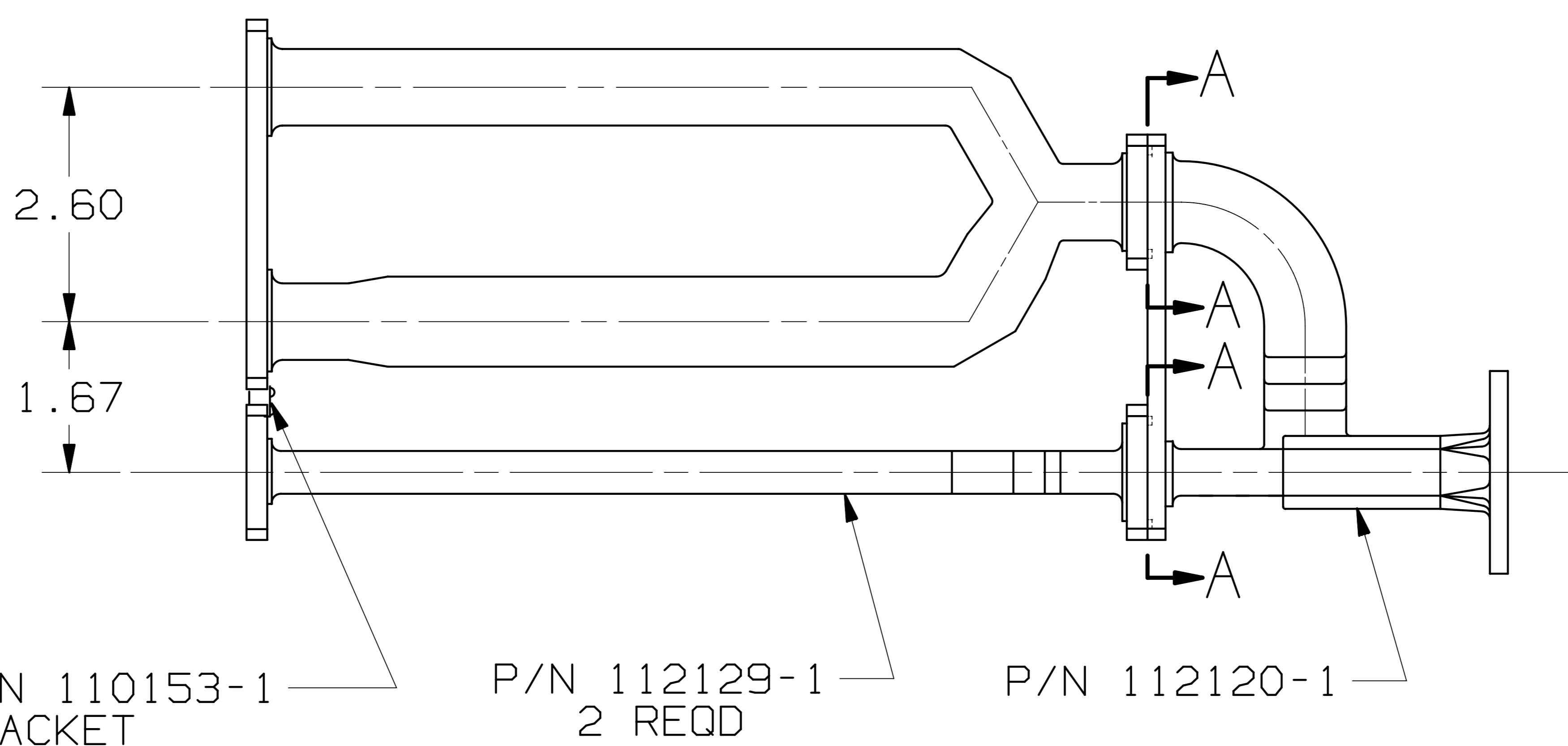
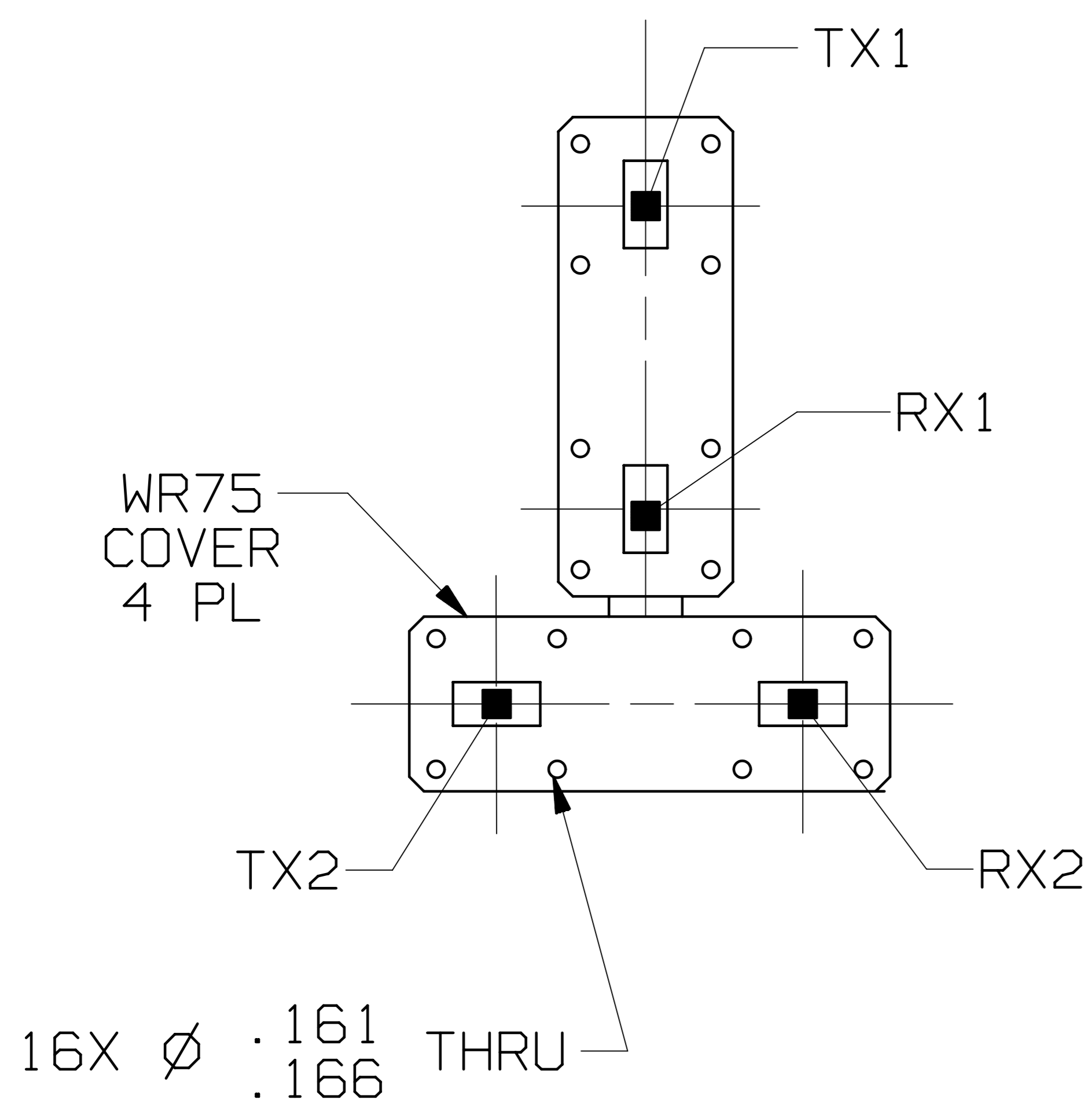
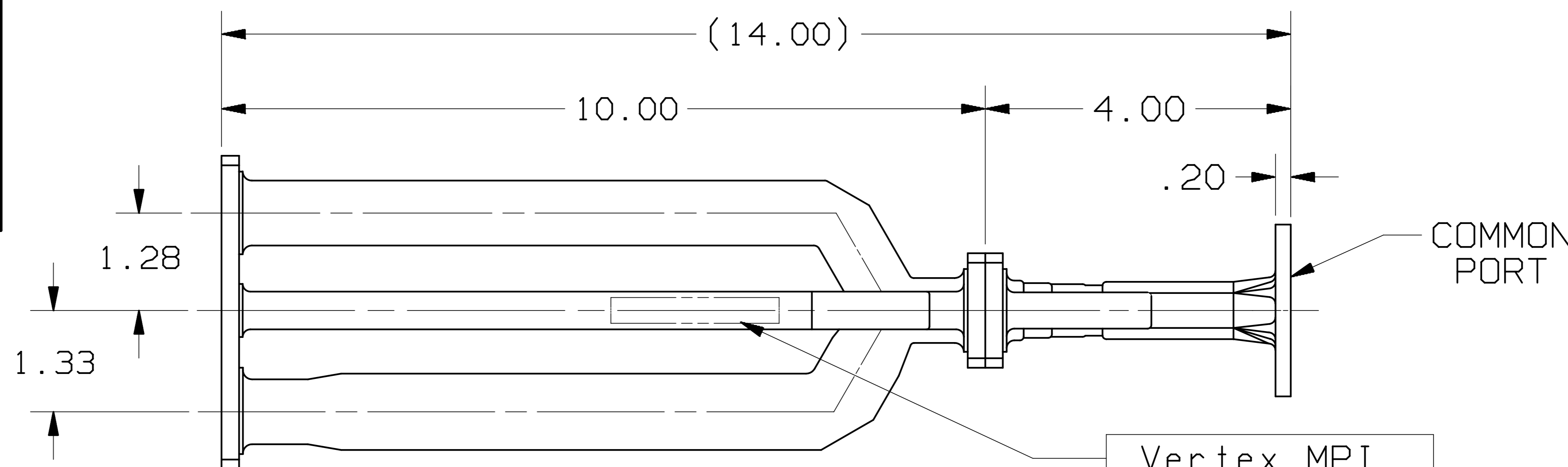
CROSSPOL : 35 dB MIN.

POWER HANDLING : 2 KW CW (1 KW PER TX PORT)

PRESSURIZATION : SEALED TO 5 PSIG.

FINISH
 FLANGE FACES: CHROMATE CONVERSION COATED
 EXTERIOR: WHITE PAINT
 COLOR NO. 17875 PER FED-STD-595

REVISIONS			
REV	DESCRIPTION	DATE	APPROVED
C	SEE REVISION SHEET	11-19-99	



- 1 CONFIGURATION

NOTES: UNLESS OTHERWISE SPECIFIED.

UNLESS OTHERWISE SPECIFIED	SIGNATURES	DATE
DIMENSIONS ARE IN INCHES	DRAWN: L. TOVALIN	07-21-99
TOLERANCES-	CHECKED: H. SPEILEDER	07-21-99
SURFACE .XX ±.01	ENGRG:	
.XXX ±.002	MFG:	
.XXXX ±.0010		
32 ✓ ANGLES ±0° 30'	EXPORT CONTROL WARNING: Do not disclose this document or its contents to non-U.S. Citizens or transmit this document or its contents outside the U.S.A. without the written permission of General Dynamics and required U.S. Government approvals	
MATERIAL: ALUMINUM ALY 6061-T6		
NEXT ASSY:		

GENERAL DYNAMICS
 C4 SYSTEMS
 VertexRSI™ Torrance Facility
 3111 Fujita St., Torrance, CA 90505, (310)539-6704

**Ku-BAND
 4-PORT DIPLEXER**

SIZE	FSCM No.	DRAWING No.	REV
C	50478	112132	C
SCALE: X:X			SHEET 1 of 1