

**SPECIFICATIONS:**

	W/G	COAX SPECIFICATIONS;					
FREQ RANGE (GHz)	10.0 TO 15.0	0-1	1-2	2-6.5	6.5-11	11-15	15-18
VSWR (MAX)	1.08 : 1	1.10	1.15	1.25	1.30	1.35	1.50
INS. LOSS (MAX)	0.05 db	0.05	0.10	0.25	0.30	0.35	0.5
ISOLATION (MIN)	70 db	80	70	60	60	50	50
SWITCHING TIME	75 mSEC, TYP @ 28 VDC						
PRESSURE	TO 15 PSIG (R-F HEAD ONLY)						
FINISH	IRIDITE ON FLANGES, SATIN BLACK ENAMEL ON REST OF BODY.						

- NOTES:**
- \*\* MANUAL SWITCH DOES NOT INCLUDE RECEPTACLE.
  - BLUE BOXES ARE REQUIRED FIELDS.
  - !! IF OPTION IS NOT REQUIRED, LEAVE (GOLD BOX) BLANK

VOLTAGE	AMPS	CODE
+22 TO +32	0.9	A
-22 TO -32	0.9	B
+10 TO +14	1.5	C
-10 TO -14	1.5	D
+44 TO +54	0.5	E
-44 TO -54	0.5	F
117VAC	1.2	H
235VAC	0.5	K
MANUAL **		M

**PART NO. SELECTION**

CODE	FLANGE
P	PLAIN
C	CHOKE
O	O-RING
F	CPRF
G	CPRG

CODE	!! OPTION
M	METRIC THREAD

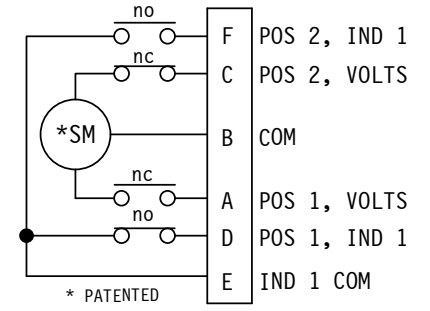
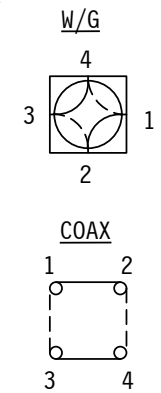
CODE	ENVIRONMENTAL
S	SEALED
SS	## SEALED WITH REMOVABLE SCREW

<b>75S</b>			
PART NO. SERIES	75S	SPDT	1
	CODE	!! OPTION	CODE

PART NO. EX.: 75SAPMS2  
 WR75 WG/SMA DUAL SWITCH, +28VDC, PLAIN FLANGE, METRIC THDS., SEALED, CKT #2

WEB SITE: [www.sectormicrowave.com](http://www.sectormicrowave.com)

## TOP EXTERIOR SCREW CAN BE REMOVED ALLOWING ACCESS TO MANUAL OVERRIDE. No. 1 PHILLIPS SCREWDRIVER REQUIRED.



STD. ELECTRICAL CKT. (Conn.: MS3112E10-6P)  
 Shown in Position 1 ONE FORM C

**TOLERANCES:**  
 DECIMALS  
 2 PLACES: +/- .03  
 3 PLACES: +/- .010  
 FRACTIONS: +/- 1/64  
 ANGLES: +/- 1/2 deg.

DRAWN	A.C.	12/9/03
CHECKED		
APVD	T.N.	12/9/03
APVD		

**SECTOR MICROWAVE IND., INC.**  
 WR75 WG/SMA DUAL SEALED SWITCH SERIES  
 SIZE L CAGE CODE **53263** **75Sxx SEALED DUAL SER.** A  
 SCALE: NONE UNIT WT. SHEET 1 OF 1 REV.

ZONE	LTR	DESCRIPTION	APV	DATE
	A	RELEASED.	TN	12/9/03
<b>REVISIONS</b>				