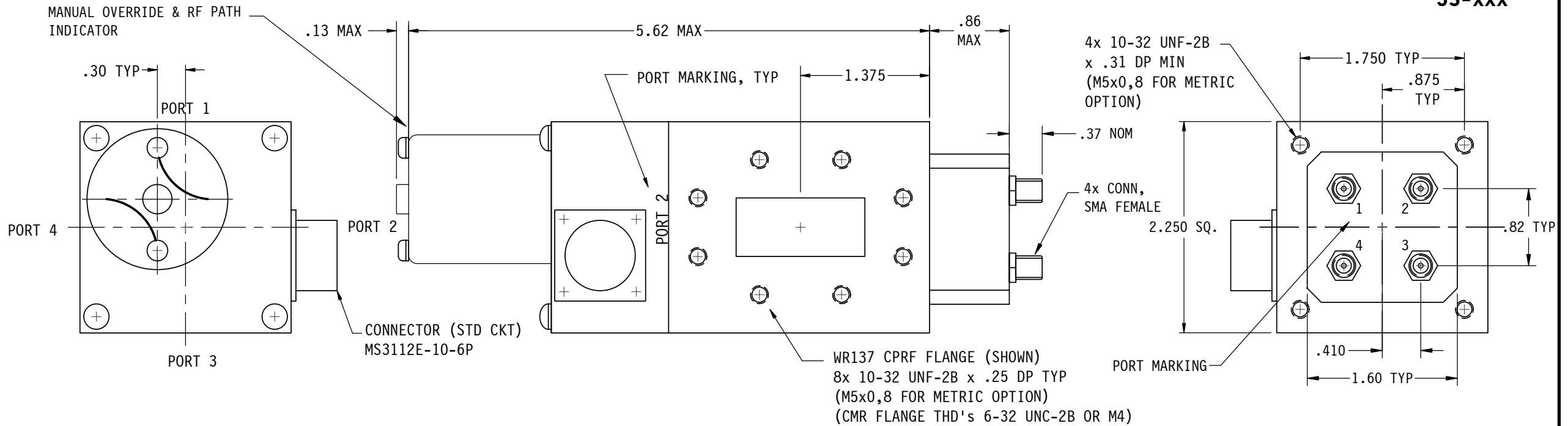
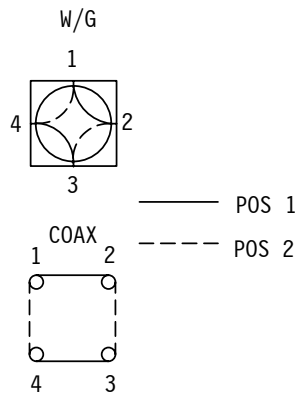


3S-xxx



SPECIFICATIONS:

	W/G	COAX
FREQ RANGE	5.8 - 6.5 GHz OR TBD	
INSERTION LOSS	.02 dB MAX	.3 dB MAX
VSWR	1.05 : 1 MAX	1.30 : 1 MAX
ISOLATION	80 db MIN	60 db MIN
RF POWER	TO 15 KWA	TO 50 W
PRESSURE	UP TO 30 PSIG (RF HEAD ONLY)	
SWITCHING TIME	75 MSEC, TYP @ 28 VDC	
DRIVE	LATCHING, SECTOR DRIVE	
FINISH	IRIDITE ON FLANGES & SATIN BLACK FINISH	
NO. OF OPERATIONS	100,000 MIN	

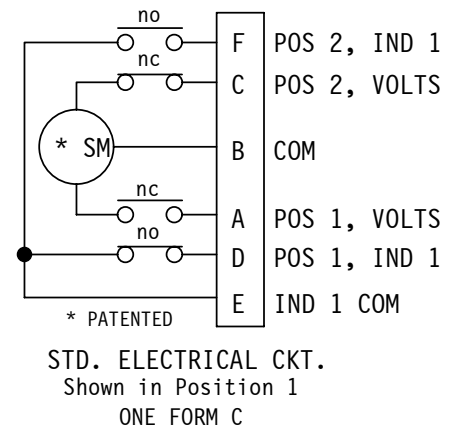


RF PATHS

PART NUMBER SELECTION

CURRENT / VOLTAGE		FLANGE	OPTIONS
0.9	+22 to +32VDC	A	* ELECTRICAL CKT (Non-Std)
0.9	-22 to -32VDC	B	W WEATHERIZED (See Other Outline Dwg)
1.5	+10 to +14VDC	C	M Metric Holes
1.5	-10 to -14VDC	D	Other
0.5	+42 to +54VDC	E	
0.5	-42 to -54VDC	F	
1.2	117VAC	H	
0.5	230VAC	K	
	Manual	M	
	Other		

PART NUMBER **3S-** [] [] []



ZONE	LTR	DESCRIPTION	APV	DATE
	A	CHANGED COAX PORT MARKINGS	RR	1/9/04
	-	RELEASED	RR	12/18/03
REVISIONS				

TOLERANCES: DECIMALS 2 PLACES: +/- .03 3 PLACES: +/- .010 FRACTIONS: +/- 1/32 ANGLES: +/- 1/2 deg.	DRAWN J TRACY 12/18/03	CHECKED /s/	APVD /s/	RR 12/18/03
---	------------------------------	----------------	-------------	----------------

SECTOR MICROWAVE IND., INC.			
WR137 WAVEGUIDE/COAX SWITCH SERIES			
SIZE L	CAGE CODE 53263	3S-xxx	
SCALE -	UNIT WT.	SHEET 1 OF 1	REV. A