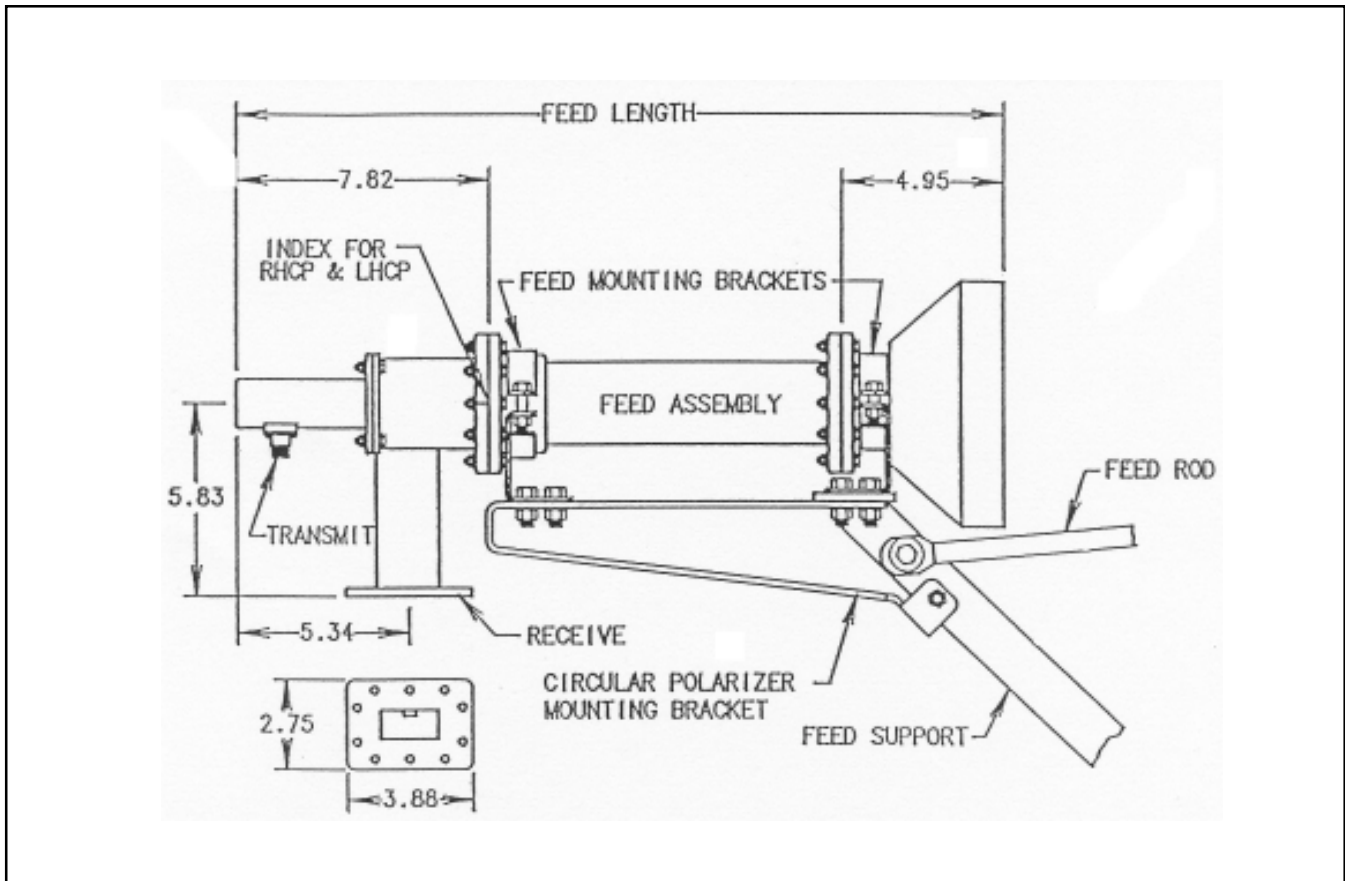


# PRODELIN

## 1.8M and 2.4M C-Band Circular Polarized Feed

Specifications		1.8M and 2.4M
Operating Frequency		
Receive (side port)		3.7 - 4.2 GHz
Transmit (through port)		5.925 - 6.425 GHz
Midband Gain		
Receive (side port)		38.0 dBi
Transmit (through port)		42.1 dBi
Voltage Axial Ratio	RX	1.30 (2.30 dB)
	TX	1.25 (1.94 dB)
Cross-Pol Isolation	Rx	17 dB
	Tx	19 dB
Port-to-Port (Rx/Tx) Isolation		75 dB
VSWR Max		1.33
Feed Interface	Rx	WR-229
	Tx	Type N or WR-137
Feed Length		23.56 inch



PO Box 368 Conover, NC 28613 USA  
 Tel: (828) 464-4141 Fax: (828) 466-0860  
 www.prodelin.com



PRODELIN  
 ISO 9002 registered  
 certificate no. A2421

5002-312(12-98) © PRODELIN