



LNB

C-BAND DIGITAL DRO 8000



TYPICAL SPECIFICATIONS

Noise temperature	15K to 30K depending on model number
L.O. stability (over temperature excl offset)	±150 kHz to ±500 kHz depending on model number
Phase noise (SSB)	-65 dBc/Hz at 1kHz -80 dBc/Hz at 10kHz -95 dBc/Hz at 100kHz
Input VSWR	2.0 : 1
Output VSWR	2.2 : 1

Conversion gain	64 dB
Output P1dB	8 dBm
Power requirements	+15 to +24 V supplied through center conductor of IF cable
Current drain	130 mA
Input Waveguide	CPR 229G
Dimensions	180 (L) x 100 (W) x 70 (H) mm (7.1 x 4.0 x 2.8 in)
Weight	425 g / 15 oz
Temperature Range	-40°C to +60°C

FREQUENCY BANDS AVAILABLE

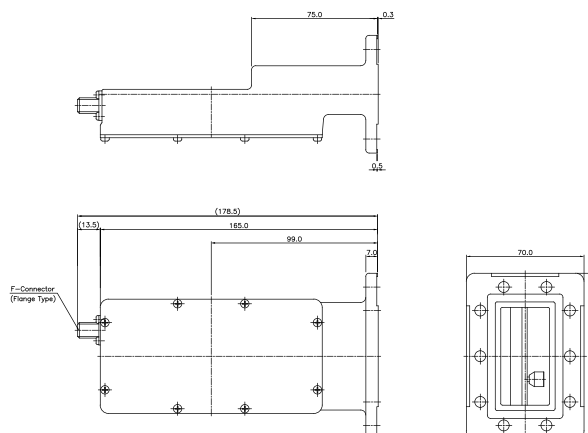
Typical service	8000	8000I
Input frequency (GHz)	3.40 to 4.20	4.50 to 4.80
L.O. frequency (GHz)	5.15	5.95
Output frequency (MHz)	950 to 1750	1150 to 1450

HOW TO ORDER

8215F

CONNECTOR	F - 75 Ohm N - 50 Ohm
NOISE TEMPERATURE	15 - 15K* 20 - 20K 25 - 25K 30 - 30K
L.O. STABILITY	1 - ±150 kHz* 2 - ±250 kHz 5 - ±500 kHz
LNB SERIES #	

MECHANICAL DIAGRAM



*Available for 8000 (3.4 - 4.2 GHz Freq.) only

