



## LNA KU-BAND 4000 SERIES



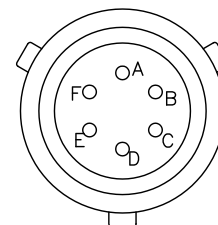
### TYPICAL SPECIFICATIONS

<b>Frequency</b>	10.95 - 12.75 GHz
<b>Noise figure</b>	0.8 dB @ 23°C
<b>Input VSWR</b>	2.0 : 1
<b>Output VSWR</b>	2.0 : 1
<b>Output P1dB</b>	8 dBm
<b>Dimensions</b>	120 (L) x 60 (W) x 43 (H) mm
<b>Weight</b>	400 g
<b>Input Waveguide</b>	WR75
<b>DC Power</b>	MS3112E10-6P

<b>Gain</b>	55 dB
<b>Gain flatness</b>	4 dB p - p max
<b>Power requirements</b>	+15 to +24 V
<b>Current drain</b>	150 mA
<b>Temperature range</b>	-40°C to +60°C

### PIN-OUT

Connector	Signal Name
A	Supply Voltage
B	GND
C	GND
D	NC
E	NC
F	NC



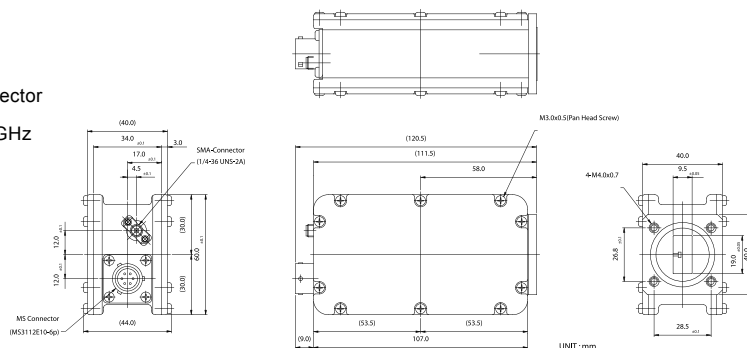
Note: Mating connector is supplied.

### HOW TO ORDER

## LNA-4000CS

- CONNECTOR** S - SMA Connector
- FREQUENCY** 10.95 - 12.75 GHz
- LNA SERIES #**

### MECHANICAL DIAGRAM



Drawing No.: LNKu-KY01-40

