

-Preliminary-



## Extended Ku-band 3W Transmitter

Model No. NJT5097VN

Type 1 (N-type Female Input Connector)

Model No. NJT5097VF

Type 2 (F-type Female Input Connector)

## Specifications

Rev.01M    October 26, 2004

Copyright 2004

New Japan Radio Co., Ltd  
Microwave Components Division

-Notice of Proprietary Information-

This documents and its contents are proprietary to New Japan Radio Co., Ltd.  
This publication and its contents may not be reproduced or distributed for any  
other purpose without the written permission of New Japan Radio., Ltd



**1. Electrical Performance**

1-1.	Output Frequency Range	13.75 to 14.25 GHz
1-2.	Input Frequency Range	950 to 1,450 MHz
1-3.	Maximum IF Input Level (without damage)	+13 dBm max.
1-4.	Conversion Type	Single, fixed L.O.
1-5.	L.O. Frequency	12.80 GHz
1-6.	Frequency Sense	Positive
1-7.	Output Power @ 1dB G.C.P.	+35 dBm typ. +33 dBm min. over temp.
1-8.	Linear Gain	53 dB typ.
1-9.	Gain Variation over frequency @ fixed temperature	5 dBp-p max. over 500 MHz 2 dBp-p max. over 36 MHz
1-10.	Gain Stability over temperature @ fixed frequency	5 dBp-p max. 2 dBp-p typ.
1-11.	ACPR	26 dBc min. @+32 dBm output power Compliance with IESS308 / SSOG 308
1-12.	Requirement for External Reference [Frequency] [Input Power] [Phase Noise]	10 MHz (sine-wave) -5 to +5 dBm @ Input port -125 dBc/Hz max. @ 100 Hz -135 dBc/Hz max. @ 1 kHz -140 dBc/Hz max. @ 10 kHz
1-13.	L.O. Phase Noise	-60 dBc/Hz max. @ 100 Hz -70 dBc/Hz max. @ 1 kHz -80 dBc/Hz max. @ 10 kHz -90 dBc/Hz max. @ 100 kHz -100 dBc/Hz max @ 1MHz
1-14.	Spurious [in band] [in receive band]	-50 dBc max. @ 13.75 to 14.25 GHz -70 dBm max. @ 10.95 to 12.75 GHz
1-15.	Receive Band Noise Density	-110 dBm/50kHz max. @10.95 to 12.75 GHz
1-16.	Input Impedance	50 ohms nom. [Model No. NJT5097VN] 75 ohms nom. [Model No. NJT5097VF]
1-17.	Input V.S.W.R.	2 : 1 max
1-18.	Output V.S.W.R.	2 : 1 max.
1-19.	Output Load VSWR for Non Damage	Infinite : 1
1-20.	DC Power Requirement	+15 to +30 VDC 30 W max.
1-21.	Mute	Shut off the HPA in case of L.O. unlocked

**2. Mechanical Specifications**

2-1.	Input Interface	[Model No. NJT5097VN] N-type, female (50 ohms) [Model No. NJT5097VF] F-type, female (75 ohms)
2-2.	Output Interface	Waveguide, WR-75
2-3.	Dimension & Housing	[Model No. NJT5097VN] 191.8. mm (L) x 119 mm (W) x 44.5 mm (H) [7.55" (L) x 4.69" (W) x 1.75" (H)] [Model No. NJT5097VF] 186.7 mm (L) x 119 mm (W) x 44.5 mm (H) [7.35" (L) x 4.69" (W) x 1.75" (H)]
2-4.	Weight	1.2 kg max. [2.6 lbs]
2-5.	Vibration	5 G (3 axis, 50 Hz to 2 kHz) 1 mm p-p (3 axis, 5 to 50 Hz)
2-6.	Shock	30 G (3 axis)

-Preliminary-

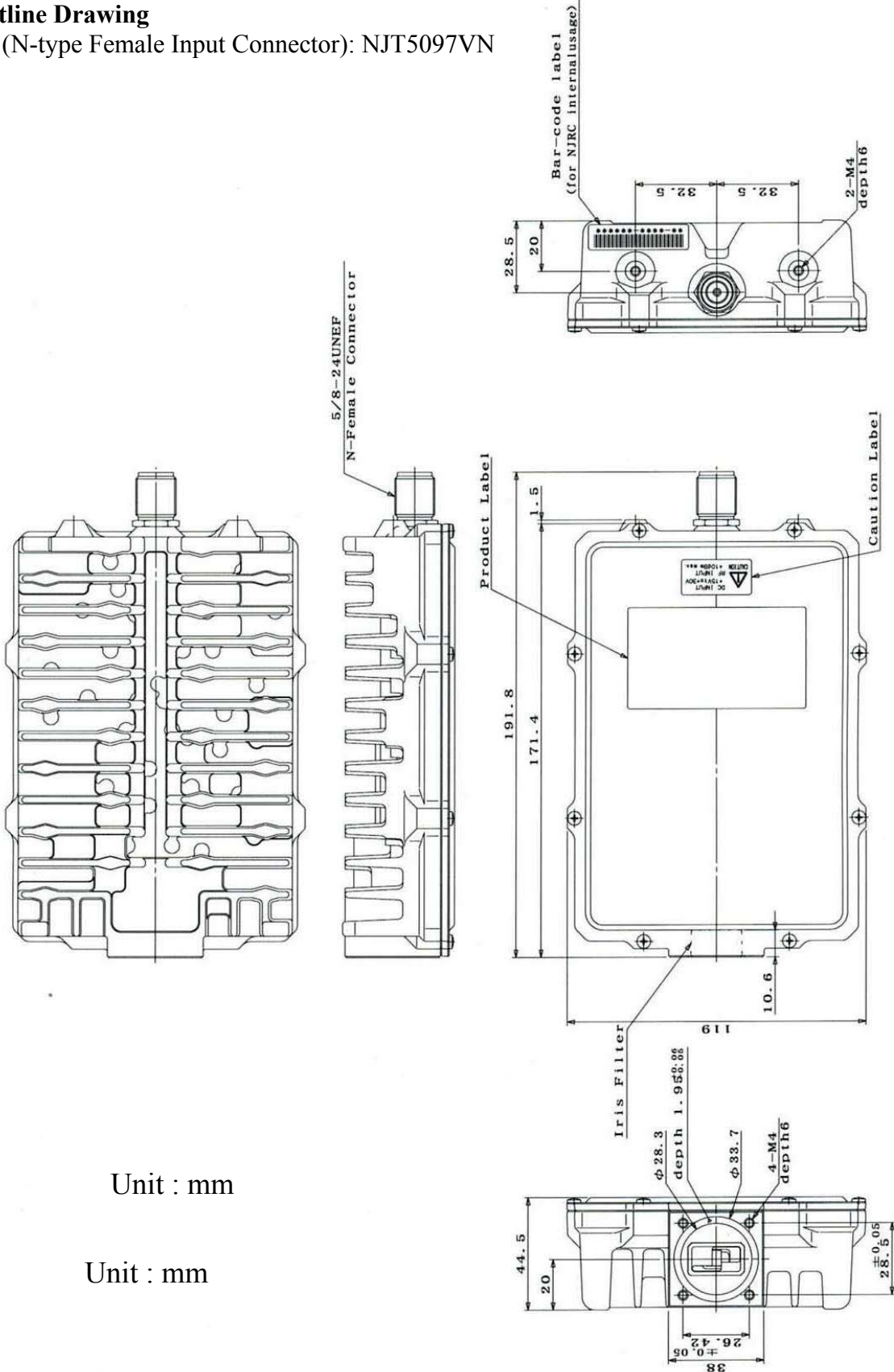


### 3. Environmental Specifications

3-1.	Temperature Range (ambient)	-40 to +55 C (operating) -40 to +75 C (storage)
3-2.	Humidity	0 to 100 %
3-3.	Altitude	15,000 feet

4. Outline Drawing

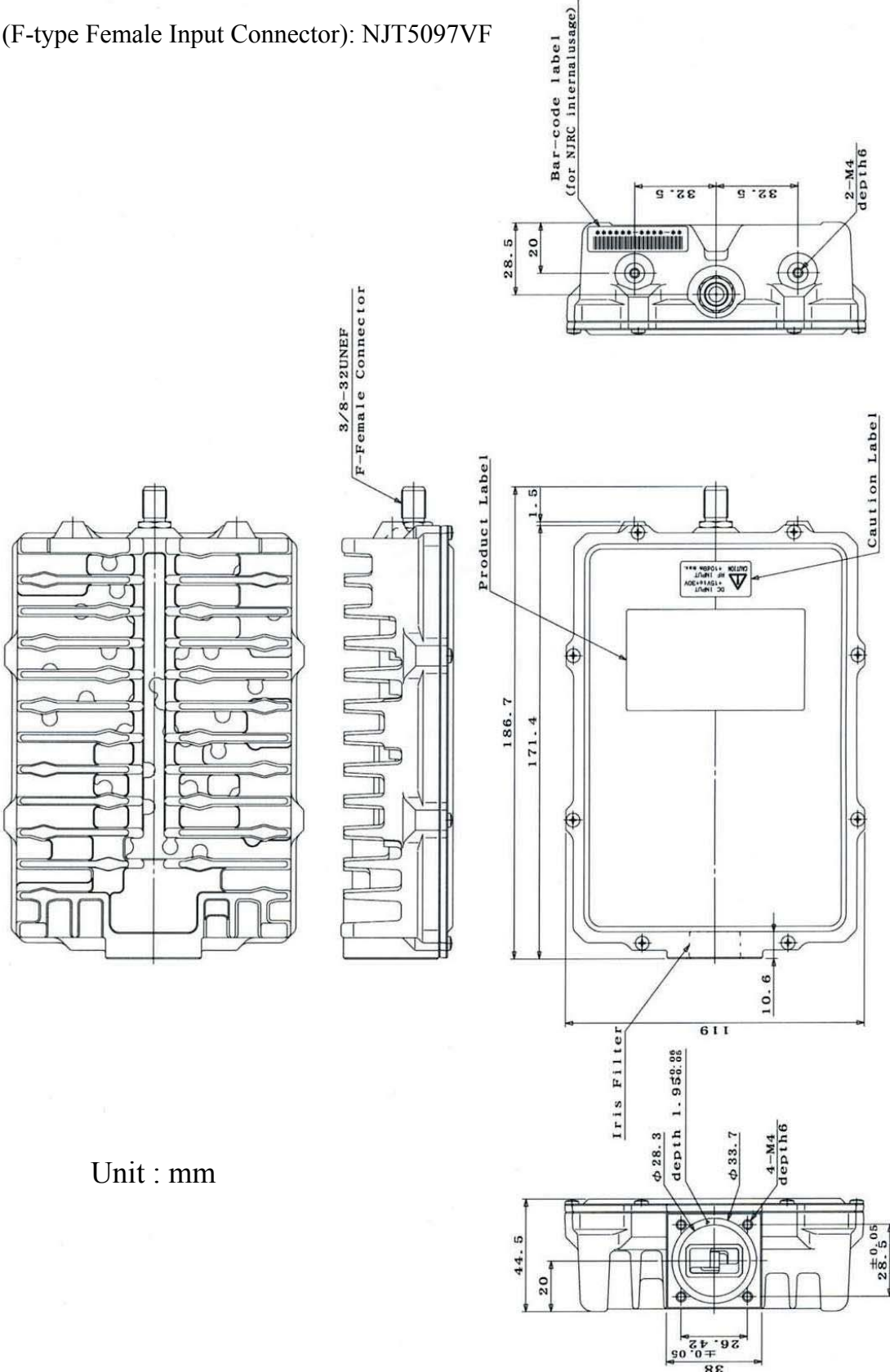
Type1(N-type Female Input Connector): NJT5097VN



Unit : mm

Unit : mm

Type2 (F-type Female Input Connector): NJT5097VF



Unit : mm