



# Ku-band 1W BUC [ Block Upconverter ]

## MODEL NO. NJT5015 / 15F

### <Description>

This unit is the fixed gain transmitter incorporating a low phase noise Phase Locked Local Oscillator and a high reliable MMIC High Power Amplifier, and converts L Band (950 to 1,450 MHz) IF Input to Ku Band (14.0 to 14.5 GHz) RF Output.



### <Line-Up>

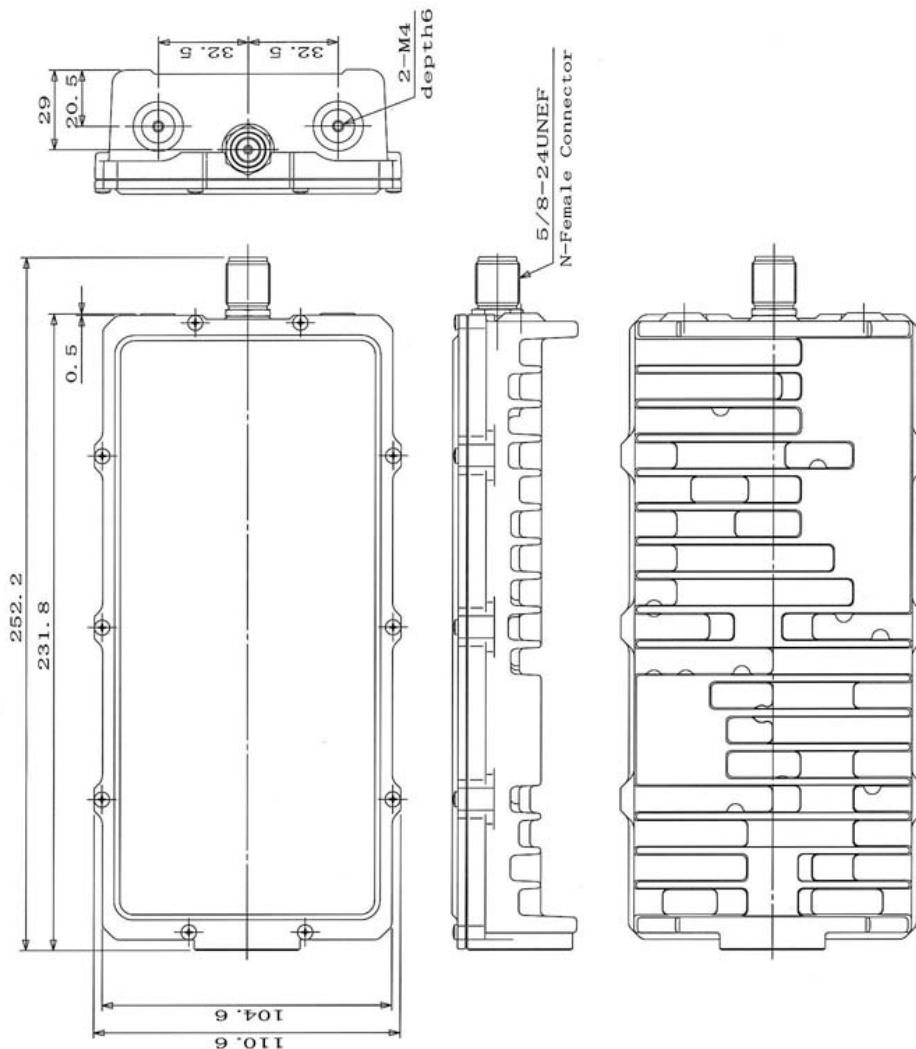
Model No.	RF Frequency	Local Frequency	IF Frequency	Output Power	Connector
NJT5015	14.0 to 14.5 GHz	13.05 GHz	950 to 1,450 MHz	1W Linear (+30 dB min.)	N-Type
NJT5015F					F-Type

### <Specifications>

Item	Specifications
Output Interface	Waveguide, WR-75
Output Power @ P1 dB	+30 dBm minimum over temperature
Conversion Gain	50 dB nom.
Phase Noise (SSB)	-60 dBc/Hz max. @ 100 Hz -70 dBc/Hz max. @ 1 kHz -80 dBc/Hz max. @ 10 kHz -90 dBc/Hz max. @ 100 kHz
Required External Reference Signal	Frequency : 10 MHz Input Power : -5 to +5 dBm Phase Noise : -125 dBc/Hz max. @ 100 Hz -135 dBc/Hz max. @ 1 kHz -140 dBc/Hz max. @ 10 kHz
Input Interface	N-type, female (50 ohm) [Model No. NJT5015] F-type, female (75 ohm) [Model No. NJT5015F]
Input / Output V.S.W.R.	2.0:1 max. @ Input 2.0:1 max. @ Output
Mute	Shut off the HPA in case of LO unlocked
Power Requirement	+15 to +24 V dc
Power Consumption	25 W max.
Operating Temperature	-40 to +55 degrees C
Storage Temperature	-40 to +75 degrees C
Size & Weight	231.8 mm (L) x 110.6 mm (W) x 45 mm (H), 1.4 kg max.

<Outline Drawing>

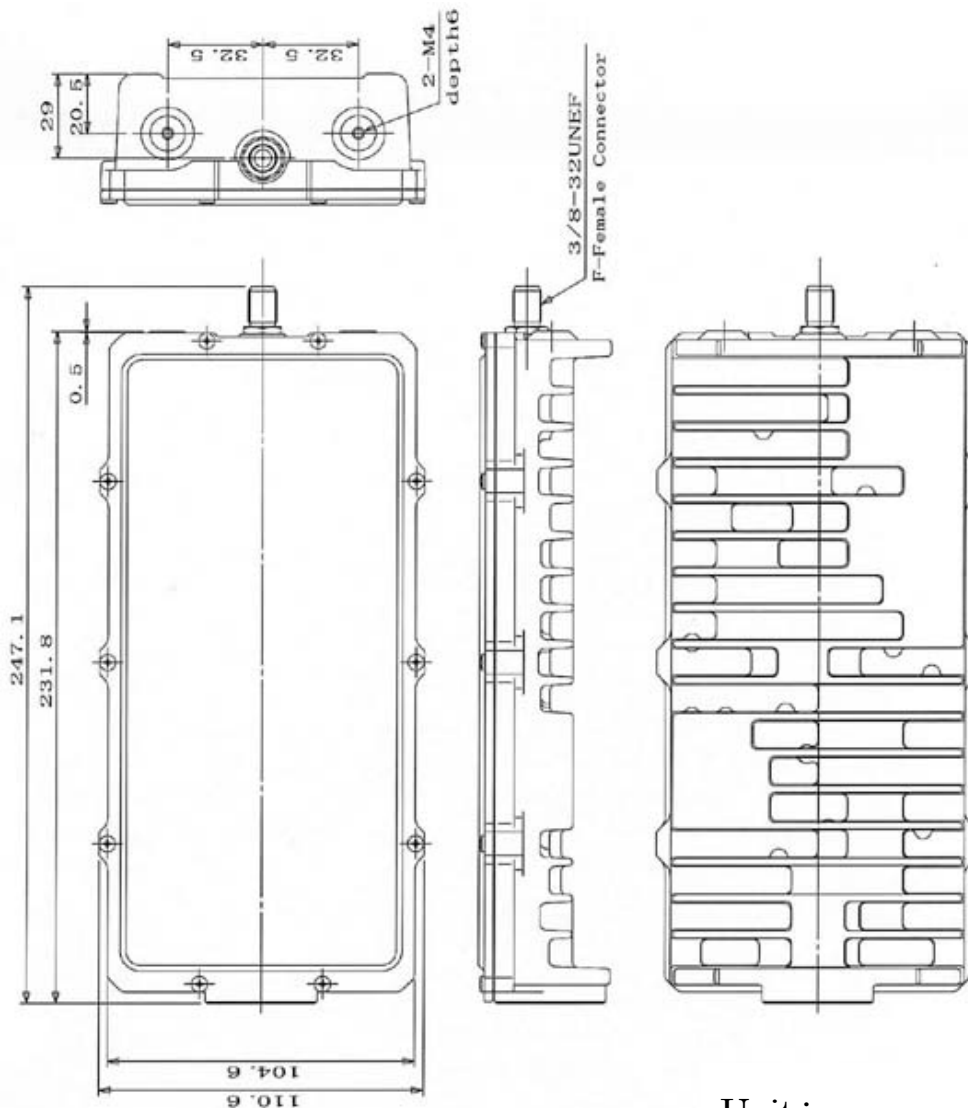
Type 1 (N-type Female Input Connector) : Model No. NJT5015



Unit : mm



Type 2 (F-type Female Input Connector) : Model No. NJT5015F



Unit : mm

**JRC** *New Japan Radio Co., Ltd.*

Microwave Components Division  
1-1, Fukuoka 2-Chome, Kamifukuoka-City  
SAITAMA, 356-8510 JAPAN  
E-mail : [mcsales@njr.co.jp](mailto:mcsales@njr.co.jp)  
Phone : +81-49-278-1270  
FAX : +81-49-278-1234  
<http://www.njr.co.jp>