

2115-58 Block Upconverter, 5.85 - 6.425 GHz

The 2115-58 Block Upconverter converts 0.95 - 1.525 GHz to 5.850 - 6.425 GHz with low phase noise and flat frequency response. Frequency translation is via a 7.375 GHz local oscillator. Front panel LEDs provide indication of DC Power, External 10 MHz, and PLL Alarm. The gain is +20 dB. Connectors are Type N female for the RF and BNC female for the L-Band and external reference input and reference output. A three-way switch controls which 10 MHz reference is being used. In the INT position, the internal reference is used, in the EXT position, the external reference is used, and in the AUTO position, the internal reference is used unless a 3 dBm \pm 3 dB, 10MHz reference signal is connected to the external reference input. The 2115 is powered by a 100-240 \pm 10% VAC power supply, and mounted in a 1 3/4" X 19" X 14" rack mount chassis.



Front Panel

EQUIPMENT SPECIFICATIONS*

Input Characteristics (L-Band)

Impedance/Return Loss 50 Ω /14 dB
 Frequency 0.95 to 1.525 GHz
 Noise Figure, Max. 20 dB max gain
 Input Level range -40 to -20 dBm
 Input 1 dB compression -10 dBm

Output Characteristics (RF)

Impedance/Return Loss 50 Ω /14 dB
 Frequency 5.85 to 6.425 GHz
 Output Level Range -20 to 0 dBm
 Output 1 dB compression +10 dBm

Channel Characteristics

Gain +20 dB \pm 1 dB
 Image Rejection > 60 dB, min
 Spurious, Inband SIGNAL RELATED < -60 dBC in band, 0 dBm out; SIGNAL INDEPENDENT, < -60 dBm
 Spurious, Out of band < -50 dBm
 Intermodulation < -55 dBC for two carriers each at -10 dBm out
 Frequency Response \pm 1 dB, 5.850 - 6.425 GHz out; \pm 0.5 dB, 40 MHz BW
 Frequency Sense Inverting

LO Characteristics

LO Frequency 7.375 GHz
 Frequency Accuracy \pm 0.01 ppm max over temp internal reference; external reference input
 10 MHz level 3 dBm, \pm 3 dB, 75 ohms, External In or Internal out

Phase Noise @ F (Hz) >	100	1K	10K	100K	1M
dBC/Hz	-70	-80	-85	-100	-110

Controls, Indicators

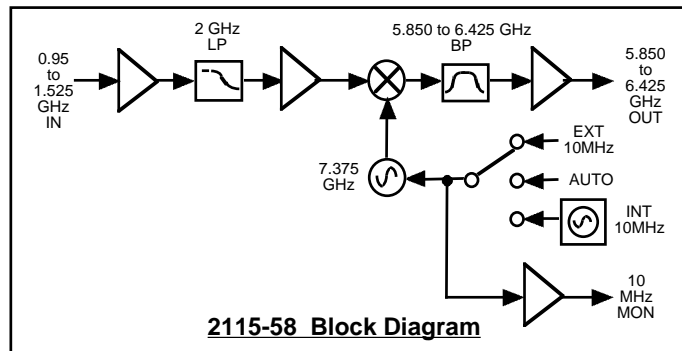
Ext 10 MHz Yellow LED, indicates external 10 MHz reference selected (rear panel DPDT switch)
 Power Green LED
 PLL Alarm Red LED, External contact closure

Other

RF Connector Type-N (female), 50 Ω
 L-Band Connector BNC (female), 50 Ω
 10 MHz Connectors BNC (female), 50 Ω /75 Ω
 Alarm Connector DB9 - NO or NC contact closure on Alarm
 Size 19 inch standard chassis 1.75" high X 14.0" deep
 Power 100-240 \pm 10% VAC, 47 - 63 Hz, 45 watts max.

Available Options

Connectors/Impedance
 FN - 50 Ω N-type (RF), 75 Ω F-type (L-Band)
 N - 50 Ω SMA (RF), 75 Ω BNC (L-Band)
 NN - 50 Ω N-type (RF), 50 Ω N-type (L-Band)
 NS - 50 Ω SMA (RF), 50 Ω N-type (L-Band)
 S - 50 Ω SMA (RF), 50 Ω BNC (L-Band)



*10°C to 40°C; Specifications subject to change without notice