



GENERAL HIGHLIGHTS

The Media Router S2 (CMR-5975) enables the reception of DVB-S and DVB-S2 IP-based multimedia (video, audio and data) content to be delivered over satellite and distributed to remote devices connected to the MR-S2 via an Ethernet LAN.

The MR-S2 is unique, since it provides a DVB-S or DVB-S2 input with an Ethernet output.

FEATURES

- Support for DVB-S and DVB-S2
- L-Band satellite input
- 10/100BaseT Ethernet output
- Support for 1:1 Redundant Operation

RELIABLE OPERATIONS

- No hard drive – All firmware boots from Flash resulting in no moving parts
- High availability product
- Embedded CPU and eCOS operating system
- Over 100,000 MTBF
- 1:1 Redundant support

APPLICATIONS

- Fast Internet / intranet
- Streaming Audio / Video
- IP Multicasting
- Business TV, training, e-learning or live events
- Multicast file transfer
- Support for point-to-point Unicast transfer
- Supports transport stream over IP

EASE OF USE

- Configuration options: Terminal, HTTP or Telnet
- SNMP MIB II & Private MIB with SNMP v1 traps

INVESTMENT PROTECTION

- Upgrade firmware individually via TFTP

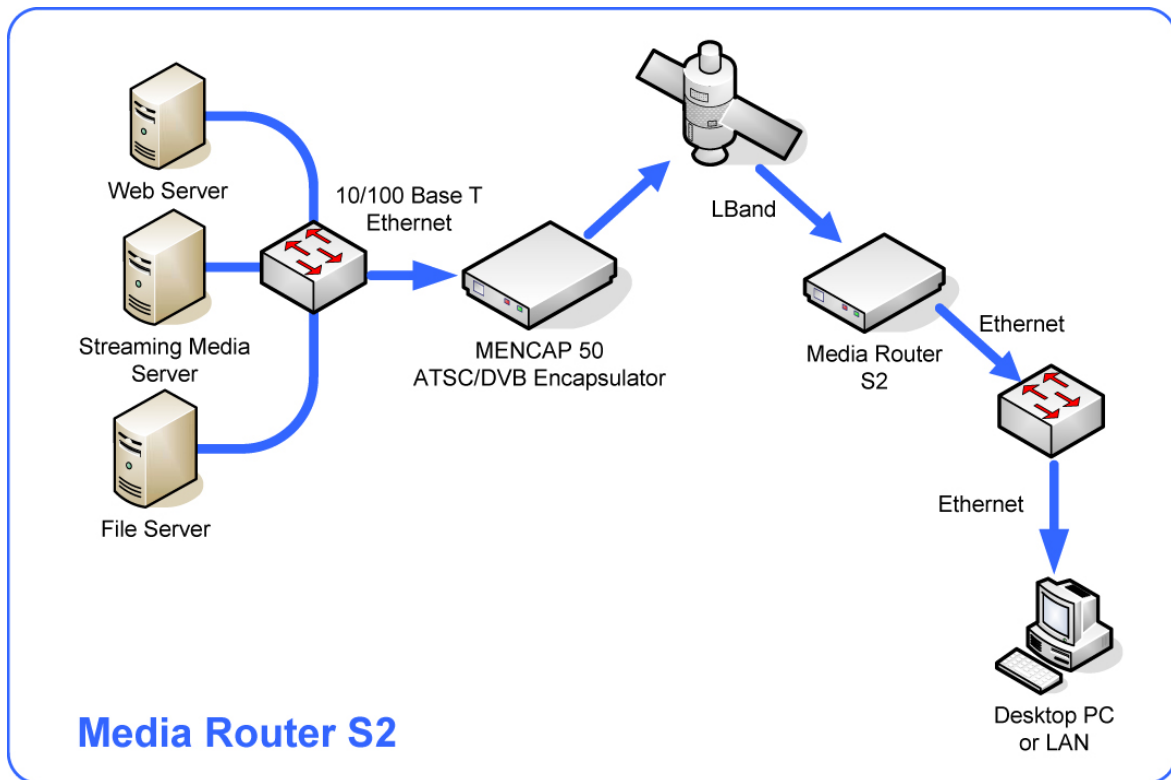
COMPLIANCE

- DVB-S (ETSI EN 300 421)
- DVB-S2 (ETSI EN 302 307)
- DVB Data Broadcasting (ETSI EN 301 192)
- ATSC Data Broadcasting (A/90)
- 10/100BaseT Ethernet (IEEE 802.3u)
- IGMP v2 Support

DISPLAY LEDs

- Power (Blue)
- Ethernet Tx (Green)
- Ethernet Rx (Green)
- Ethernet Link (Green)
- Ethernet Col (Yellow)
- Carrier Lock (Green)
- Redundancy (Green)
- Alarm (Red)

CMR-5975 Media Router S2



PHYSICAL & POWER

- 1 RU High
- Length = 8.75"
- Width = 7.125"
- Height = 1.625"
- Power consumption: 25.0 W max
- Input voltage: Universal 100-240VAC 47 Hz - 63 Hz
- desktop power supply to 5VDC @ 5.0 A

ENVIRONMENT

- Operating temperature: 0° to 40°C
- Storage temperature: -30° to 65°C
- Humidity: 10% to 75% non-condensing

CONNECTORS

- RJ-45: 10/100BaseT Ethernet interface (IEEE 802.3u)
- F-Type: L-Band input
- RJ-12: Terminal (RS-232)
- RJ-12: Aux port for serial control

OPERATING RANGE

- L-Band Input Frequency: 950 to 2150 MHz
- L-Band Input Power: -65 to -25 dBm
- Support for DVB-S:
 - 2-45 Msps
 - FEC: 1/2, 2/3, 3/4, 5/6, 7/8
- Support for DVB-S2:
 - 2 - 32 Msps
 - FEC: 1/2, 3/5, 2/3, 3/4, 4/5, 5/6, 8/9, 9/10
 - QPSK and 8-PSK operation

OPTIONAL EQUIPMENT

- Rack Mount Shelf: (TR-1600)
 - 1 RU 19" rack-mount shelf can house one or two CMR-5975 units

