



BAIRD Non-Penetrating and Penetrating Support System

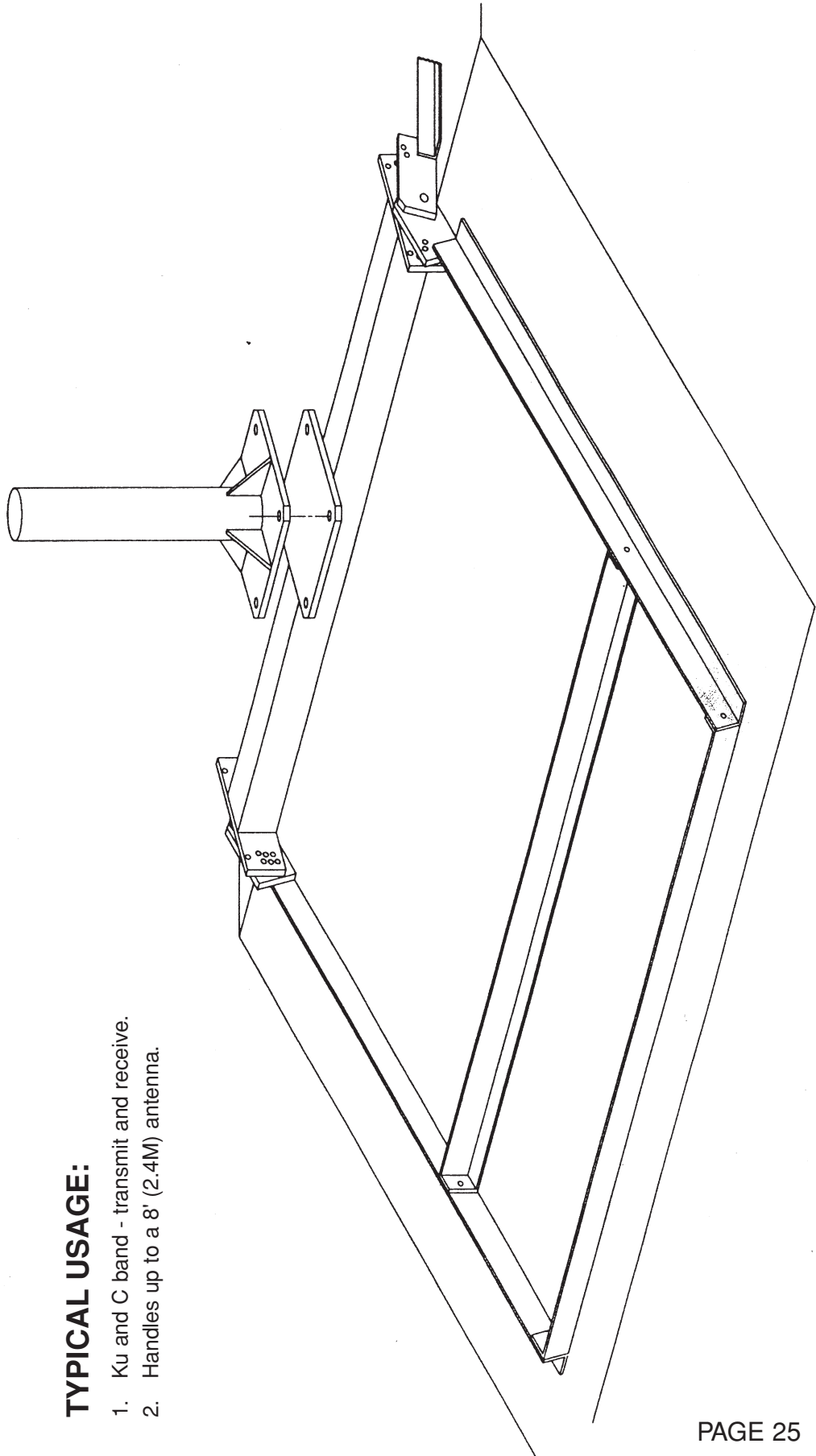
UNIVERSAL RIDGEMOUNT

Engineered for durability, simplicity and flexibility.

1. Sets up fast.
2. Easily adjusted to roof pitch.
3. Hot dip galvanized for superior protection.

TYPICAL USAGE:

1. Ku and C band - transmit and receive.
2. Handles up to a 8' (2.4M) antenna.

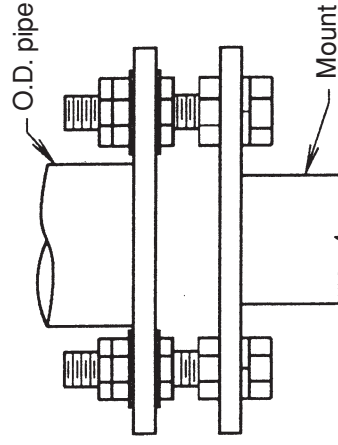
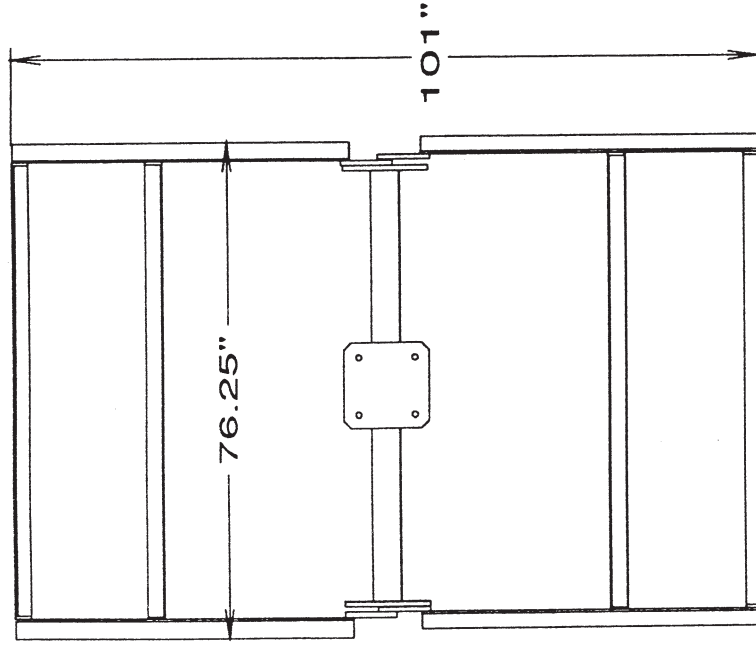




BAIRD Non-Penetrating and Penetrating Support System UNIVERSAL RIDGEMOUNT

PRODUCT SPECIFICATIONS

1. Hot dip galvanized for superior protection.
2. Footprint - 6.4' x 8.4' = 53.75 sq.ft.
3. Mast Diameter - as required.
4. Mast Height - as required (4' max).
5. The mount adjusts to fit 2/12 through 7/12 roof pitches. The mount can also be locked into the flat position.
6. When ordering please specify the type of mount polar or AZ/EL. Polar mounting systems are equipped with a leveling device to plumb the O.D. pipe.



Leveling Device