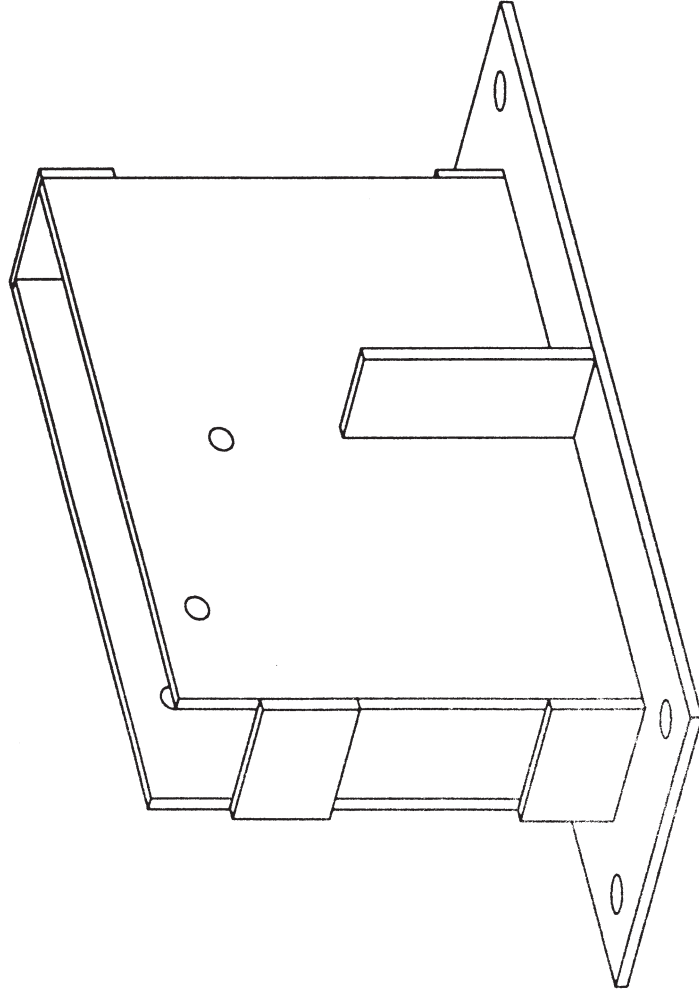




## BAIRD Penetrating Supporting System

The tall penetrating foot option is available for most of our non-penetrating supporting systems. The tall penetrating foot is designed to go through the roofing material and then attach to the roof's supporting structure. Contact us for further information.



The tall penetrating foot option is available for the following models:

- |           |          |
|-----------|----------|
| PS-10     | VS-10    |
| PL-10     | VL-10    |
| PL-2      | VL-4     |
| PXL-2     | PXL-2 HD |
| PXL-2 EHD |          |