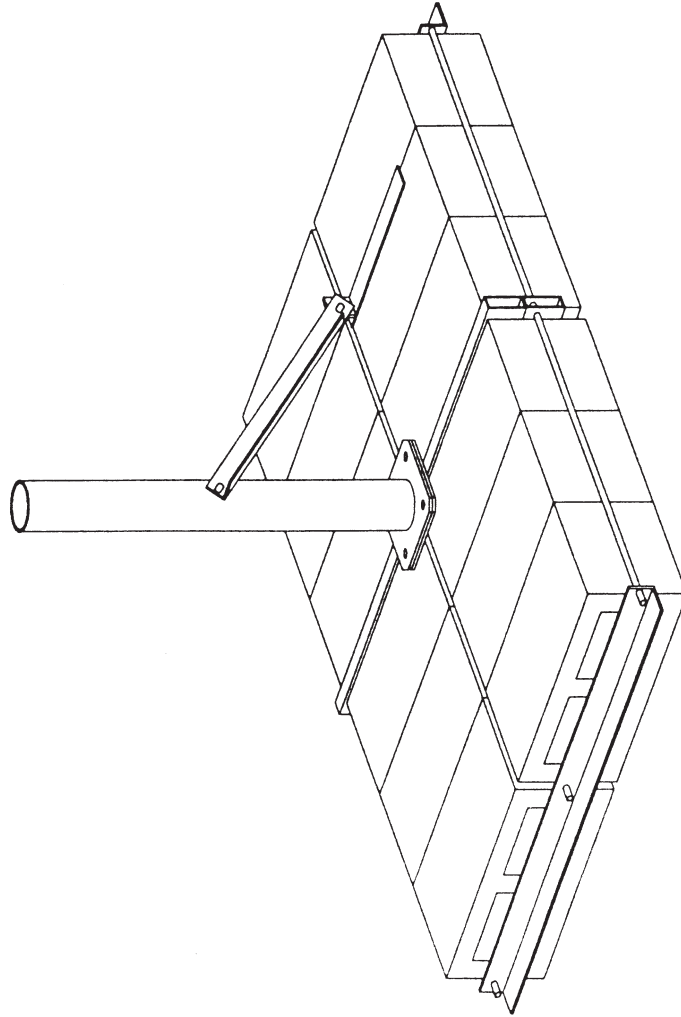


## BAIRD Non-Penetrating Support System

### MODEL: PSH-2

The PSH-2 is a non-penetrating antenna mount designed to handle a 1.0M antenna (see chart on the following page). The PSH-2 is an economical, compact and easily assembled mounting system.





**PRODUCT SPECIFICATIONS**

**MODEL: PSH-2**

Non-Penetrating, flat roof antenna supporting system.  
 Handles up to and including a 3' (1.0M) antenna.  
 Ku and C band-transmit and receive.

Footprint - 32.0' x 46.8' = 10.4 sq.ft.

Finish - Hot dip galvanized

Mast Diameter - as required up to 3-1/2" O.D.

Mast Height - 2' max. (for most cases)

Ballast required will be recommended based on antenna diameter, type and survival requirements.

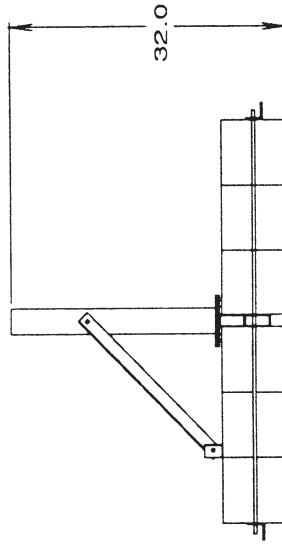
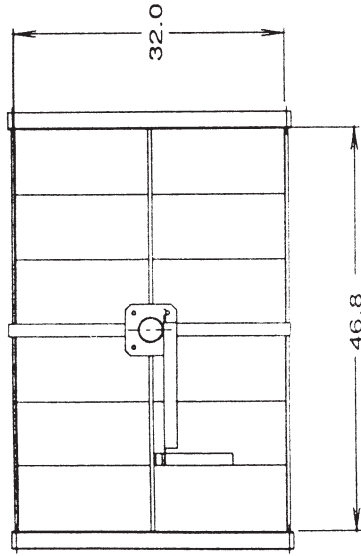
It is the customer's responsibility to see that all applicable codes are satisfied. It is suggested that a structural engineer review the application of this product.

An engineering report is available to assist with determining the proper amount of ballast.

A pad can be supplied to isolate the mount from the roof surface.

Under extreme wind conditions the mount should be tethered with cable.

The ballast information in the table below is based on the Uniform Building Code. Exposure level 'C'.



BLOCK SIZE TYPE & WEIGHT	TOTAL WT. (lbs.) OF BALLAST & MOUNT	DIST. LOAD (PSF)	ALLOWABLE WIND SPEED WHEN HEIGHT FROM GROUND LEVEL TO CENTER OF ANTENNA IS:								
			.75m			.90m			1.0m		
			20FT.	40FT.	60FT.	20FT.	40FT.	60FT.	20FT.	40FT.	60FT.
8"X8"X16" CORED 39 LBS.	536	51.5	114	106	101	96	90	86	85	79	75
8"X8"X16" SOLID 70 LBS.	908	87.3	148	138	132	125	117	112	111	103	98