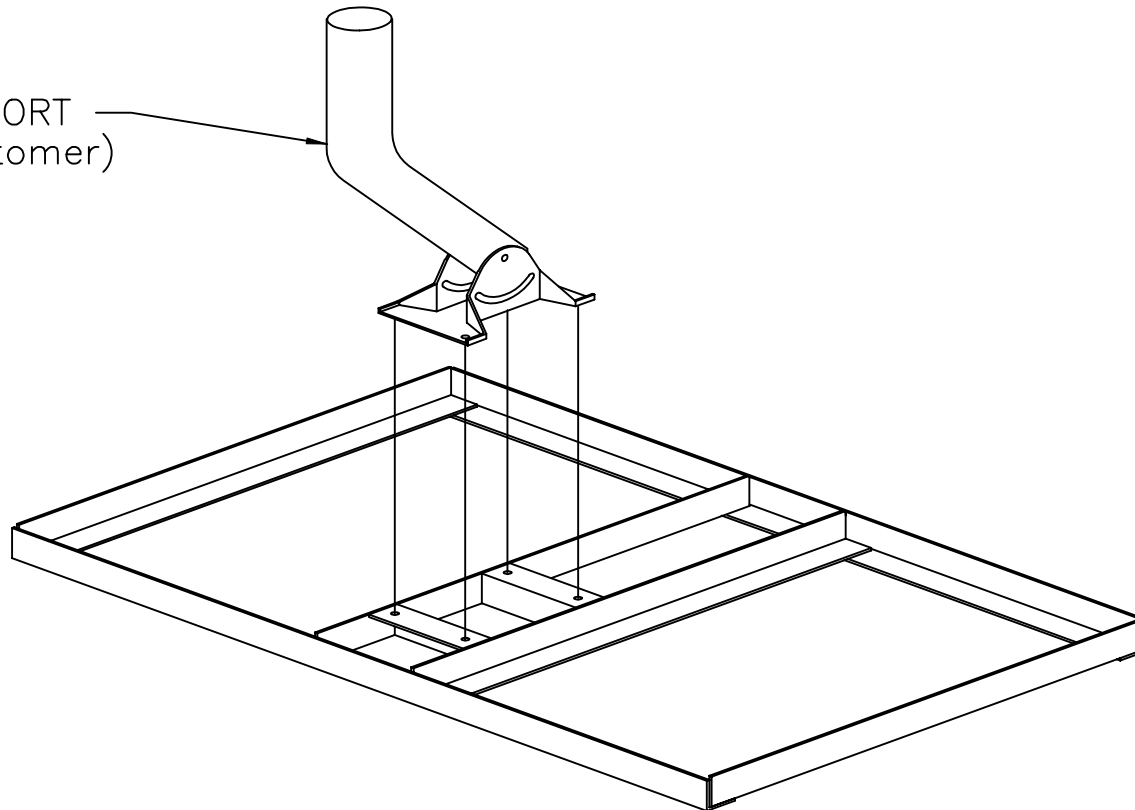




## BAIRD Non-Penetrating Support System

The B6-18 is a non-penetrating, flat roof mount designed to handle the 18" DBS/\*DSS antenna. In some cases the B6-18 can also be used to hold a 24" antenna (see specifications for details)

ANTENNA SUPPORT  
(supplied by customer)



MODEL: B6-18

\*DSS is a registered trademark of Direct TV Inc.  
a unit of GM Hughes Electronics.



## PRODUCT SPECIFICATIONS

MODEL: B6-18

Non-penetrating, flat roof mounting system

Handles up to an 18" antenna.

The mount is capable of supporting a 24" antenna. The limiting factor is if the required ballast weight can be placed on the frame. (stacking blocks is acceptable.)

The mount can hold up to six 4"-8"x8"x16" solid concrete blocks.(without stacking blocks)

Foot print: 1.95'x3.08' = 6.00sq.ft.

Finish - Hot dip galvanized

A pad can be supplied to isolate the mount from the roof surface.

Ballast required will be recommended based on antenna diameter, type and survival requirements

It is the customer's responsibility to see that all applicable codes are satisfied. It is suggested that a structural engineer review the application of this product.

Under extreme wind conditions the mount should be tethered with cable.

