

BAIRD

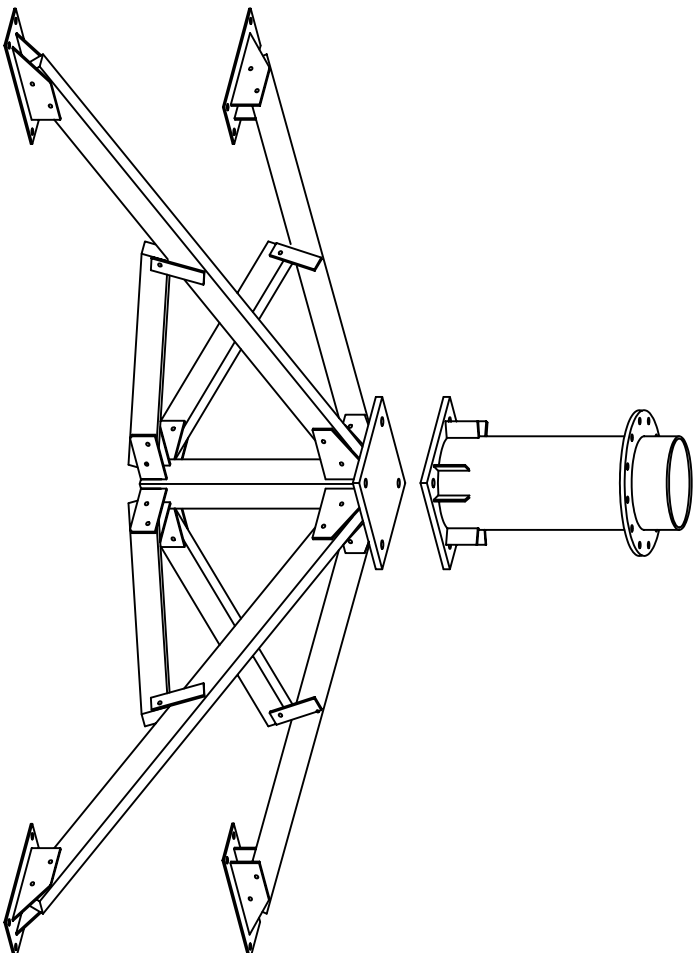
SATELLITE SUPPORTING SYSTEMS

A division of Baird Industries, Inc.

BAIRD Non-penetrating and Penetrating Support System

PXL-2HD

The PXL-2 H.D. is a heavy duty version of our standard PXL-2 non-penetrating mount. The mount and mast shown below is designed and tested to handle the 3.8M antenna. Larger antennas may be used with the PXL-2 H.D. however, each installation must be examined to determine if the mount can withstand the wind loads which may be applied.



MODEL:

PXL-2HD

(shown with penetrating foot option)