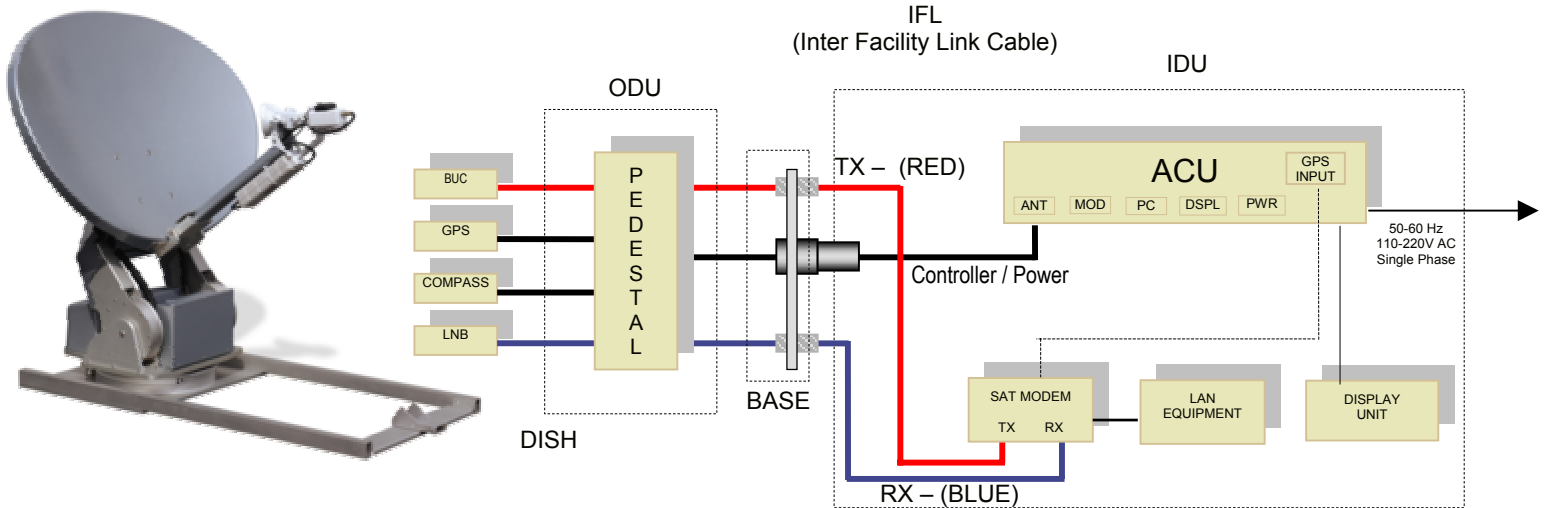


MVS SERIES

QUICK START USER'S GUIDE



NOTE THE FOLLOWING WARNINGS:

DO NOT CONNECT OR DISCONNECT THE RG-6 COAXIAL OR ANTENNA CONTROLLER/POWER CABLES WHILE POWER IS APPLIED TO ANY CONNECTED EQUIPMENT. TURN OFF ALL POWER BEFORE CONNECTING OR REMOVING CABLES. FAILURE TO DO SO MAY CAUSE DAMAGE TO THE SYSTEM.

TURN KEY OPERATION (MODEM COMMISSIONED AND SATELLITE DATA ENTERED BY FACTORY PERSONNEL)

ON (DEPLOY ANTENNA)

1. CONNECT ANTENNA AS SHOWN ABOVE.
2. APPLY POWER FROM THE POWER SUPPLY OR THE 1U RACK MOUNT PANEL, WHICH EVER APPLIES.
3. USING THE TRACSTAR SYSTEMS *MVS SERIES ACU* DISPLAY UNIT, PRESS “+” AND HOLD FOR 2 SECONDS.

OFF (STOW ANTENNA)

4. USING THE TRACSTAR SYSTEMS *MVS SERIES ACU* DISPLAY UNIT, PRESS “-” AND HOLD FOR 2 SECONDS.
5. REMOVE POWER FROM THE ANTENNA BY TURNING OFF POWER TO THE POWER SUPPLY OR THE 1U RACK MOUNT PANEL, WHICH EVER APPLIES.
6. ONCE POWER IS REMOVED, DISCONNECT ANY CABLES NECESSARY FOR TRANSPORTING ANTENNA.

WHAT TO EXPECT:

The antenna has a self-calibration and startup routine. User intervention is not required after the initiation of this process. Under normal operating conditions the antenna will determine its relative location, absolute location, find its predetermined reference satellite,

then find and lock onto the desired satellite. Satellite lock can be determined by a mes

sage in the MVS Series ACU display showing LOCK XXX.X, with XXX.X being the desired satellite.

PERFORMANCE TIPS

If after a number of unsuccessful scans or several minutes have passed and no "LOCK" indication is present on the ACU display:

1. Turn off power and check cable and power connections to all equipment, being careful to observe all warnings. Ensure the satellite modem is connected properly. Reapply power to all equipment.
2. Ensure there is a clear, unobstructed view towards the equator relative to the antenna's position.
3. If a "REF SAT NOT FOUND" message is displayed, select an alternate reference satellite (refer to operating manual) and begin the acquisition process again. Should the message still occur, move the antenna base in a 90° arc and check the leveling of the antenna. Auto-correction features in the software will accommodate up to $\pm 10^\circ$ of error in the mounting plane of the antenna. Begin the process again.
4. If the antenna still does not find the desired satellite, SkyScan can be engaged to find all available satellites in the sky. Refer to the operating manual for instructions on using SkyScan.
5. The menu is a three dimensional object. Main moves through the four main (1.0 – 4.0) categories and goes to the first page of each. The arrow moves through the depth of each of the submenus, front to back.

